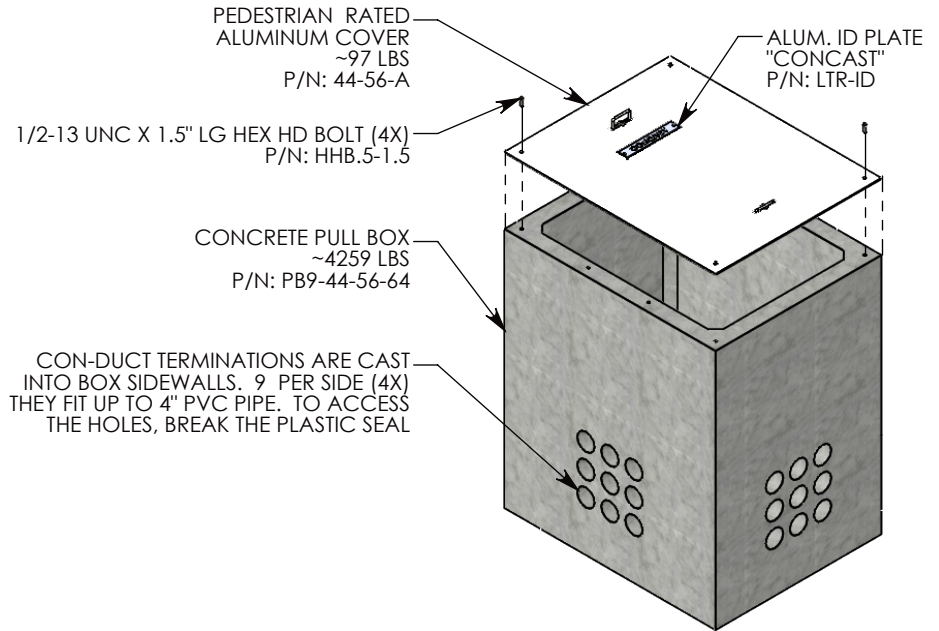
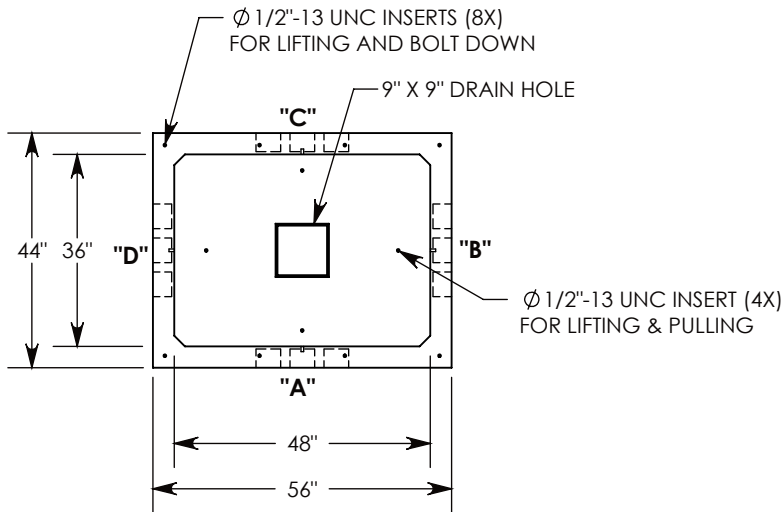
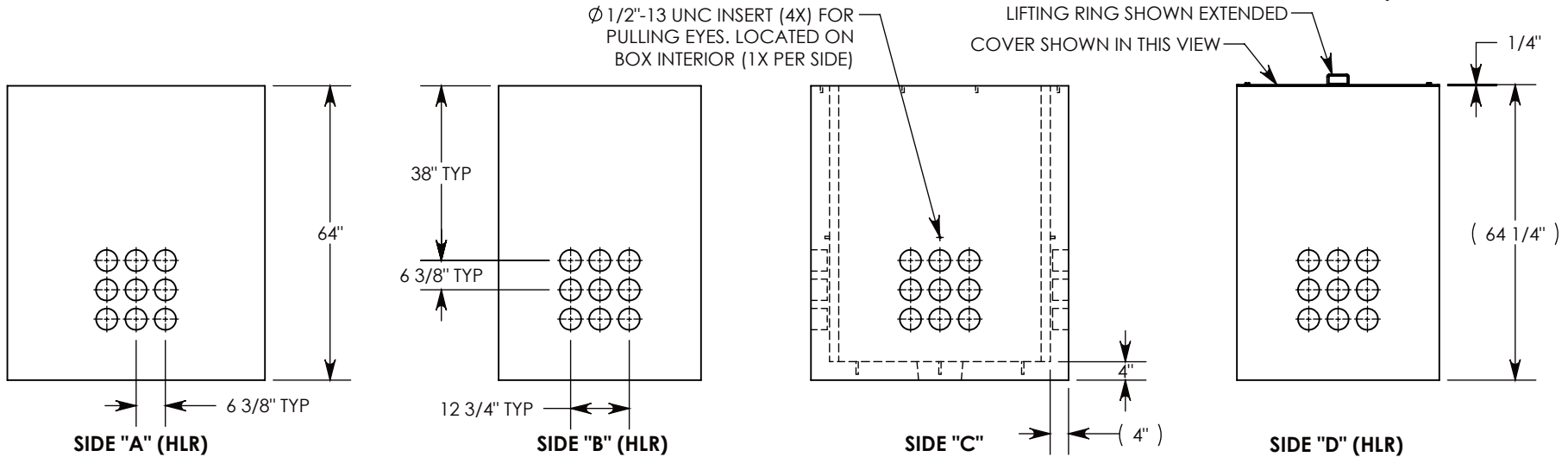


REV. B - MKM - 5/30/2018 - UPDATED MODEL & DRAWING

REV. C - SIC - 2/26/2020 - UPDATED DRAWING; UPDATED ALUMINUM COVER WEIGHT, WAS 95 LBS; UPDATED BOLT DOWN INSERTS QTY: 8, WAS QTY: 4



CON-DUCT TERMINATIONS ARE CAST INTO BOX SIDEWALLS. 9 PER SIDE (4X) THEY FIT UP TO 4\"/>



NOTE 1: FOR PVC SIZES SMALLER THAN 4", USE CONCAST RC41 (REDUCING COUPLER)
NOTE 2: FOR ADDED SECURITY, PENTA HEAD BOLTS (P/N: PTA.5-1.5) CAN BE ADDED

PEDESTRIAN RATED - 200 LB. PER SQ. FOOT

DRAWN BY: ROBIN FLINT	
CREATED DATE: 3/26/2010	REVISION LEVEL: C
SAVED DATE: 2/26/2020	SAVED BY: scallahan
WEIGHT: 4356 LBS.	MATERIAL: NOTED



1010 NORTH STAR DRIVE
P.O. BOX 69
ZUMBROTA, MN 55992-0069

DESCRIPTION: PULL BOX W/ ALUMINUM COVER		SHEET 1 OF 1
<small>DIMENSIONS ARE IN INCHES</small> TOLERANCES: FRACTIONAL: ± 1/8" ANGULAR: ± 2°		
<small>CONTACT INFORMATION:</small> EMAIL: INFO@CONCASTINC.COM PHONE: (507) 732-4095 FAX: (507) 732-4094		
PART NUMBER: PB9-44-56-64-A		