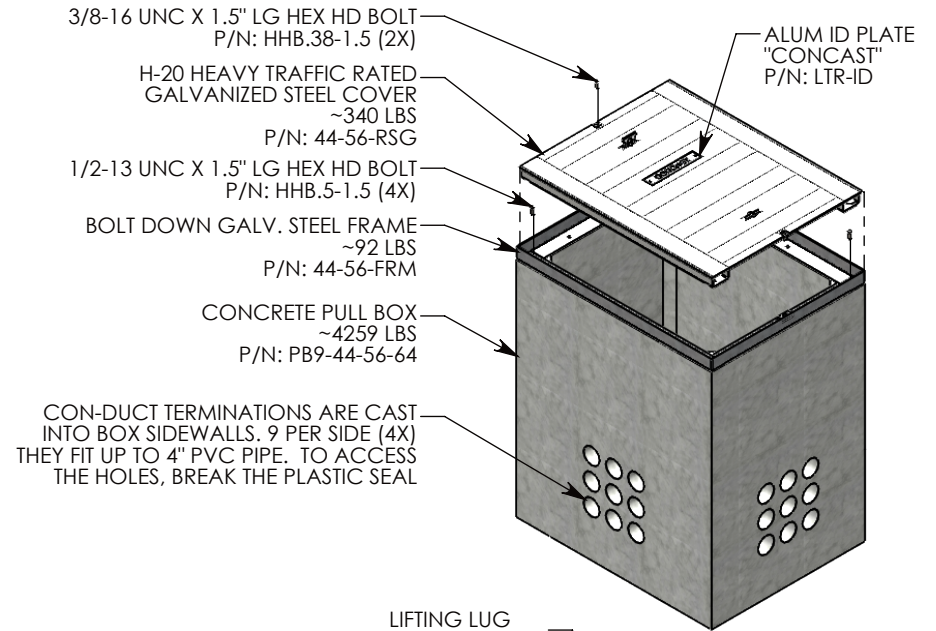
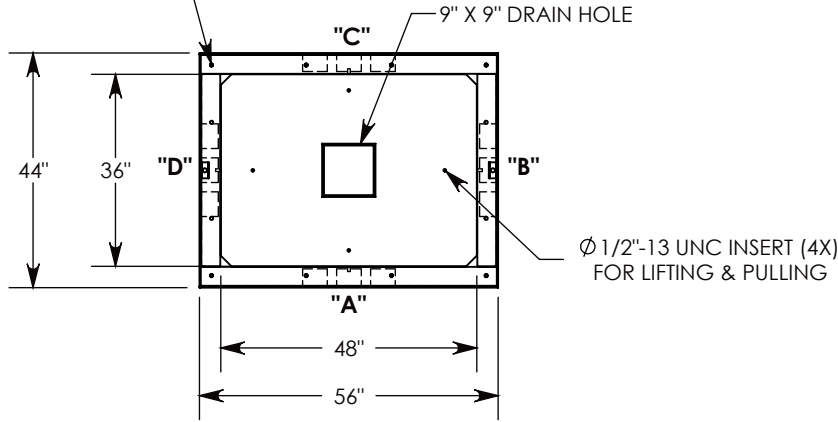
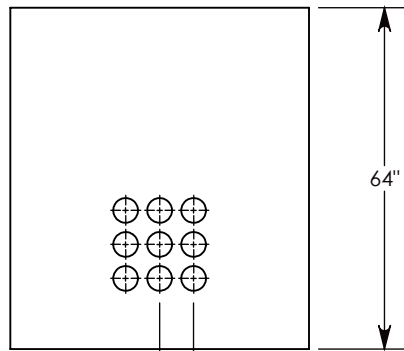


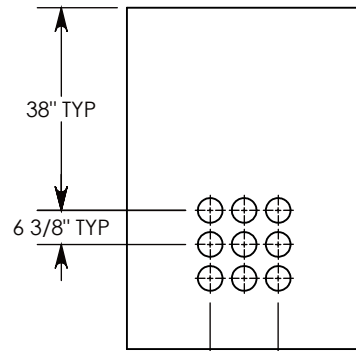
Ø 1/2"-13 UNC INSERTS (4X)  
 FOR LIFTING AND BOLT DOWN



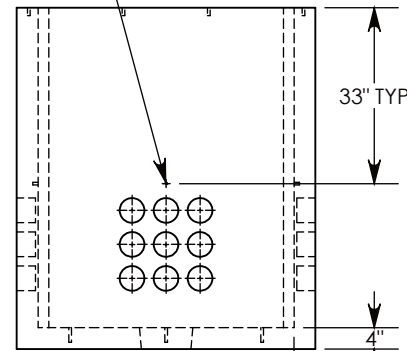
Ø 1/2"-13 UNC INSERT (4X) FOR  
 PULLING EYES. LOCATED ON  
 BOX INTERIOR (1X PER SIDE)



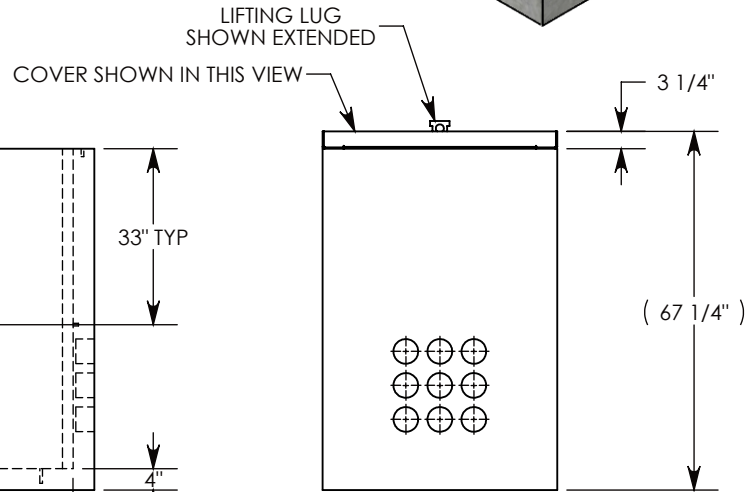
SIDE "A" (HLR)



SIDE "B" (HLR)



SIDE "C"



SIDE "D" (HLR)

**NOTE 1:** FOR PVC SIZES SMALLER THAN 4", USE CONCAST RC41 (REDUCING COUPLER)

**NOTE 2:** FOR ADDED SECURITY, PENTA HEAD (P/N: PTA.38-1.5) OR SURELOCK BOLTS (P/N: SL.38-1.25) CAN BE ADDED

AASHTO H-20 RATED - 32,000 LB. SINGLE AXLE LOAD

<b>DRAWN BY: ROBIN FLINT</b>	
<b>DATE: 3/14/2019</b>	<b>REVISION LEVEL: B</b>
<b>WEIGHT: 4687 LBS. W/COVER</b>	<b>MATERIAL: NOTED</b>

1010 NORTH STAR DRIVE  
 P.O. BOX 69  
 ZUMBROTA, MN 55992-0069

<b>DESCRIPTION:</b> <b>PULL BOX W/ GALV. STEEL COVER</b>		
DIMENSIONS ARE IN INCHES TOLERANCES: FRACTIONAL: ± 1/8" ANGULAR: ± 2°	CONTACT INFORMATION: EMAIL: INFO@CONCASTINC.COM PHONE: (507) 732-4095 FAX: (507) 732-4094	SHEET 1 OF 1
<b>PART NUMBER:</b> <b>PB9-44-56-64-RSG</b>		