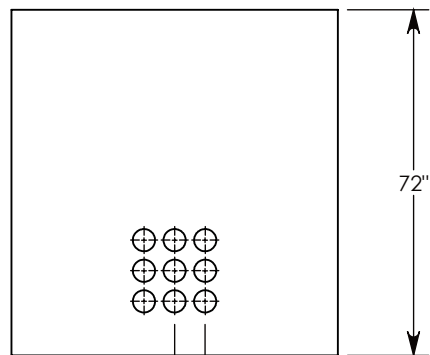
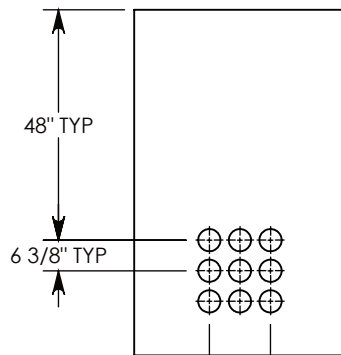


Ø 1/2"-13 UNC INSERT (4X) FOR PULING EYES. LOCATED ON BOX INTERIOR (1X PER SIDE)

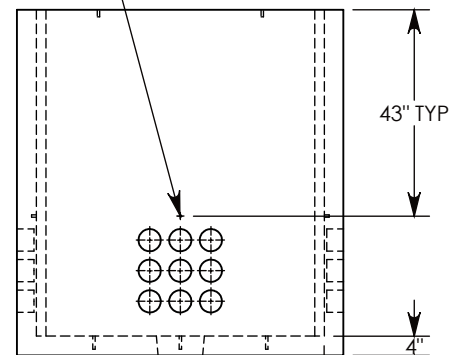
COVER SHOWN IN THIS VIEW



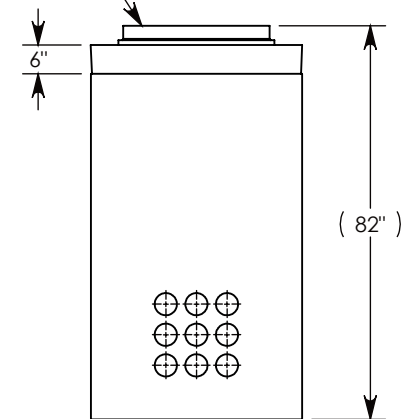
SIDE "A" (HLR)



SIDE "B" (HLR)



SIDE "C"



SIDE "D" (HLR)

NOTE 1: FOR PVC SIZES SMALLER THAN 4", USE CONCAST RC41 (REDUCING COUPLER)

AASHTO H-20 RATED - 32,000 LB. SINGLE AXLE LOAD

DRAWN BY: MALACHI MLINAR

DATE: 8/1/2018

REVISION LEVEL: A

WEIGHT:

7152 LBS. W/ COVERS

MATERIAL:

NOTED



DESCRIPTION:

PULL BOX W/ MANHOLE COVER

DIMENSIONS ARE IN INCHES
TOLERANCES:
FRACTIONAL: ± 1/8"
ANGULAR: ± 2°

CONTACT INFORMATION:
EMAIL: INFO@CONCASTINC.COM
PHONE: (507) 732-4095
FAX: (507) 732-4094

SHEET 1 OF 1

PART NUMBER:

PB9-44-68-72-MH