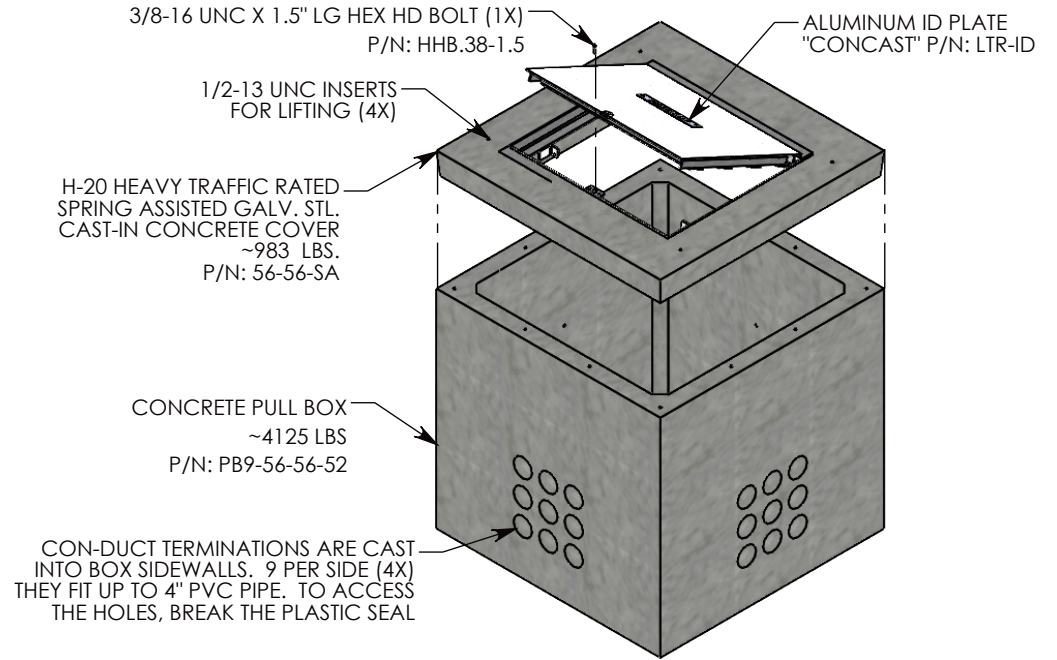
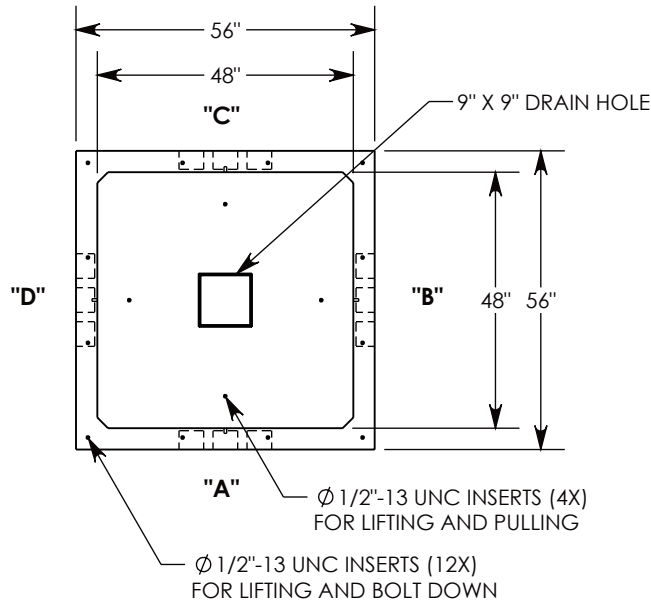


REV. A - SIC - 10/9/2019 - UPDATED NOTES, VIEWS, AND DIMENSIONS: 1/2"-13 UNC BOLT DOWN INSERTS, QTY: 12 WAS QTY: 4

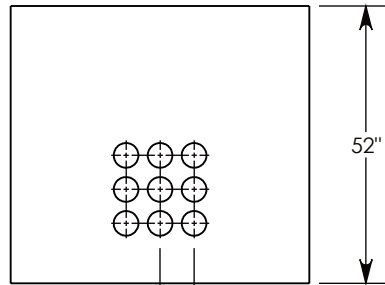
REV. B - SIC - 10/10/2023 - 56-56-SA COVER DESIGN UPDATED; 56-56-SA COVER WEIGHT CHANGED TO 983 LBS, WAS 1,111 LBS; OVERALL HEIGHT CHANGED TO 57 1/2", WAS 58"; OVERALL ASSEMBLY WEIGHT CHANGED TO 5,109 LBS, WAS 5,236 LBS; ADDED BOLT CALLOUT AND OPEN COVER VIEW



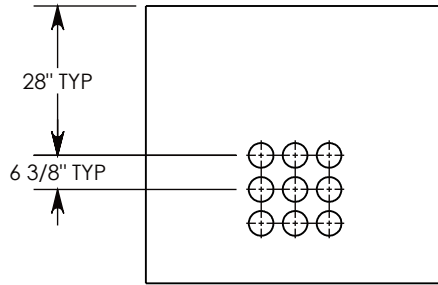
CON-DUCT TERMINATIONS ARE CAST INTO BOX SIDEWALLS. 9 PER SIDE (4X) THEY FIT UP TO 4" PVC PIPE. TO ACCESS THE HOLES, BREAK THE PLASTIC SEAL

Ø 1/2"-13 UNC INSERT (4X) FOR PULLING EYES. LOCATED ON BOX INTERIOR (1X PER SIDE)

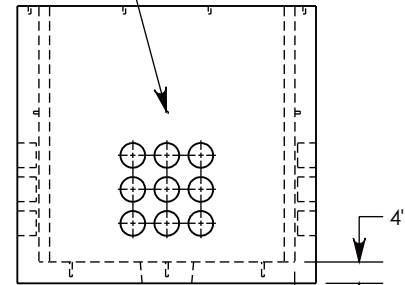
COVER SHOWN IN THIS VIEW



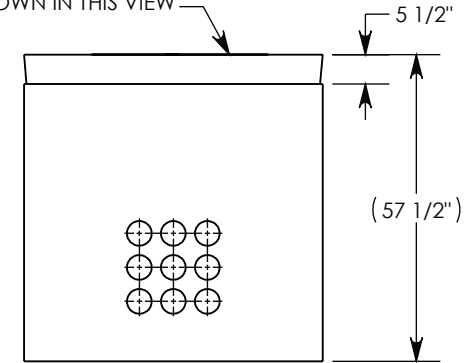
SIDE "A" (HLR)



SIDE "B" (HLR)



SIDE "C"



SIDE "D" (HLR)

NOTE 1: FOR PVC SIZES SMALLER THAN 4", USE CONCAST RC41 (REDUCING COUPLER).

AASHTO H-20 RATED - 32,000 LB. SINGLE AXLE LOAD

| | |
|--------------------------------|----------------------------|
| DRAWN BY: ROBIN FLINT | |
| CREATED DATE: 3/26/2010 | REVISION LEVEL: B |
| SAVED DATE: 10/10/2023 | SAVED BY: scallahan |
| WEIGHT: 5109 LBS. | MATERIAL: NOTED |

1010 NORTH STAR DRIVE
P.O. BOX 69
ZUMBROTA, MN 55992-0069

| | |
|--------------------------------------------------------------------------------|----------------------------------------------------------------------------------------------------|
| DESCRIPTION: PULL BOX W/SPRING-ASSIST COVER | |
| DIMENSIONS ARE IN INCHES TOLERANCES: FRACTIONAL: ± 1/8" ANGULAR: ± 2° | CONTACT INFORMATION: EMAIL: INFO@CONCASTINC.COM PHONE: (507) 732-4095 FAX: (507) 732-4094 |
| PART NUMBER: PB9-56-56-52-SA | |
| SHEET 1 OF 1 | |