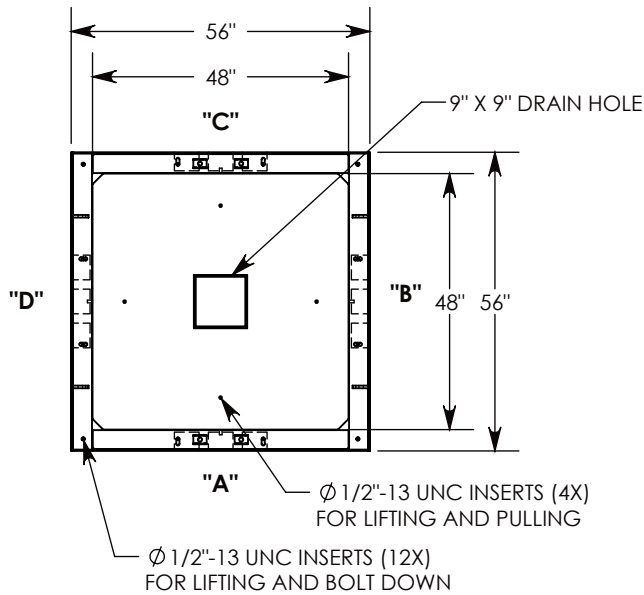


REV. A - RAL - 2/15/2018 - UPDATED COVER
 REV. B - MKM - 9/4/2018 - UPDATED NOTES & DIMENSIONS
 REV. C - MKM - 10/26/2018 - UPDATED NOTES
 REV. D - SIC - 10/11/2019 - UPDATED NOTES AND DIMENSIONS: 1/2"-13 UNC BOLT DOWN INSERTS, QTY: 12 WAS QTY: 4;
 UPDATED COVER BOLT LENGTH AND ADDED SECURITY NOTE



BOLT-DOWN STEEL GALV. FRAME & SPA COVER
 ~522 LBS
 P/N: 56-56-SPA

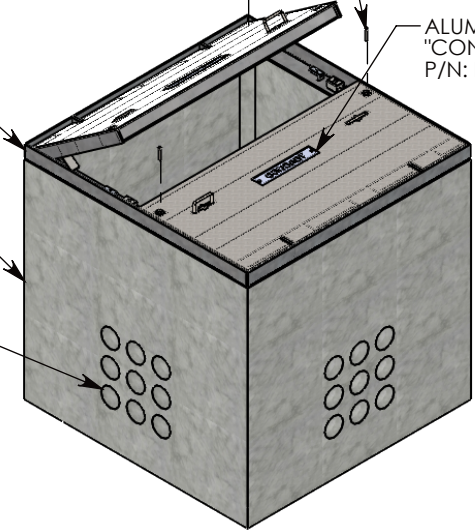
CONCRETE PULL BOX
 ~4125 LBS
 P/N: PB9-56-56-52

CON-DUCT TERMINATIONS ARE CAST INTO BOX SIDEWALLS. 9 PER SIDE (4X)
 THEY FIT UP TO 4" PVC PIPE. TO ACCESS THE HOLES, BREAK THE PLASTIC SEAL

3/8-16 UNC X 2.5" LG HEX HD BOLT (4X)
 P/N: HHB.38-2.5

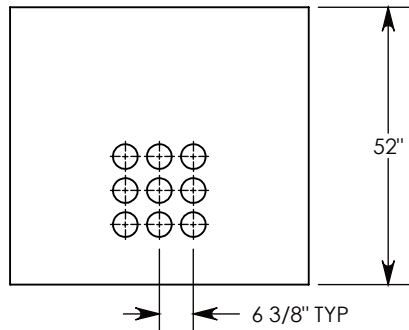
1/2-13 UNC X 1.5" LG HEX HD BOLT (4X)
 P/N: HHB.5-1.5

ALUM ID PLATE "CONCAST"
 P/N: LTR-ID

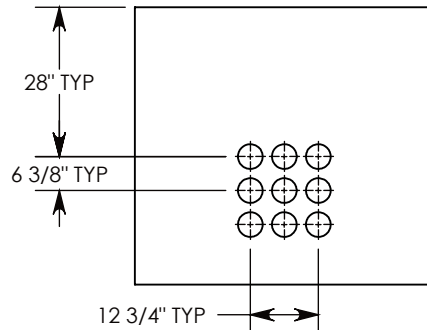


Ø 1/2"-13 UNC INSERT (4X) FOR PULLING EYES. LOCATED ON BOX INTERIOR (1X PER SIDE)

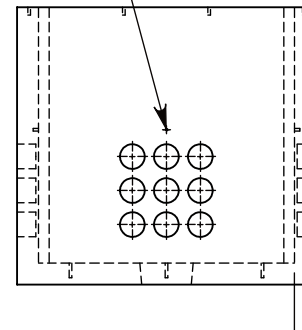
LIFT RING SHOWN EXTENDED
 COVER SHOWN IN THIS VIEW



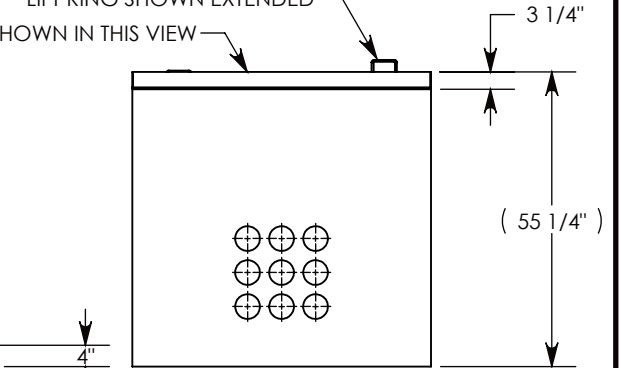
SIDE "A" (HLR)



SIDE "B" (HLR)



SIDE "C"



SIDE "D" (HLR)

NOTE 1: FOR PVC SIZES SMALLER THAN 4", USE CONCAST RC41 (REDUCING COUPLER)
 NOTE 2: FOR ADDED SECURITY, PENTA HEAD (P/N: PTA.38-2.5) OR SURELOCK BOLTS (P/N: SL.38-2.5) CAN BE ADDED

AASHTO H-20 RATED - 32,000 LB. SINGLE AXLE LOAD

DRAWN BY: ROBIN FLINT	
CREATED DATE: 3/26/2010	REVISION LEVEL: D
SAVED DATE: 10/11/2019	SAVED BY: scallahan
WEIGHT: 4655 LBS.	MATERIAL: NOTED

1010 NORTH STAR DRIVE
 P.O. BOX 69
 ZUMBROTA, MN 55992-0069

DESCRIPTION: PULL BOX W/SPRING ASSIST GALV STL COVER		
DIMENSIONS ARE IN INCHES TOLERANCES: FRACTIONAL: ± 1/8" ANGULAR: ± 2°	CONTACT INFORMATION: EMAIL: INFO@CONCASTINC.COM PHONE: (507) 732-4095 FAX: (507) 732-4094	SHEET 1 OF 1
PART NUMBER: PB9-56-56-52-SPA		