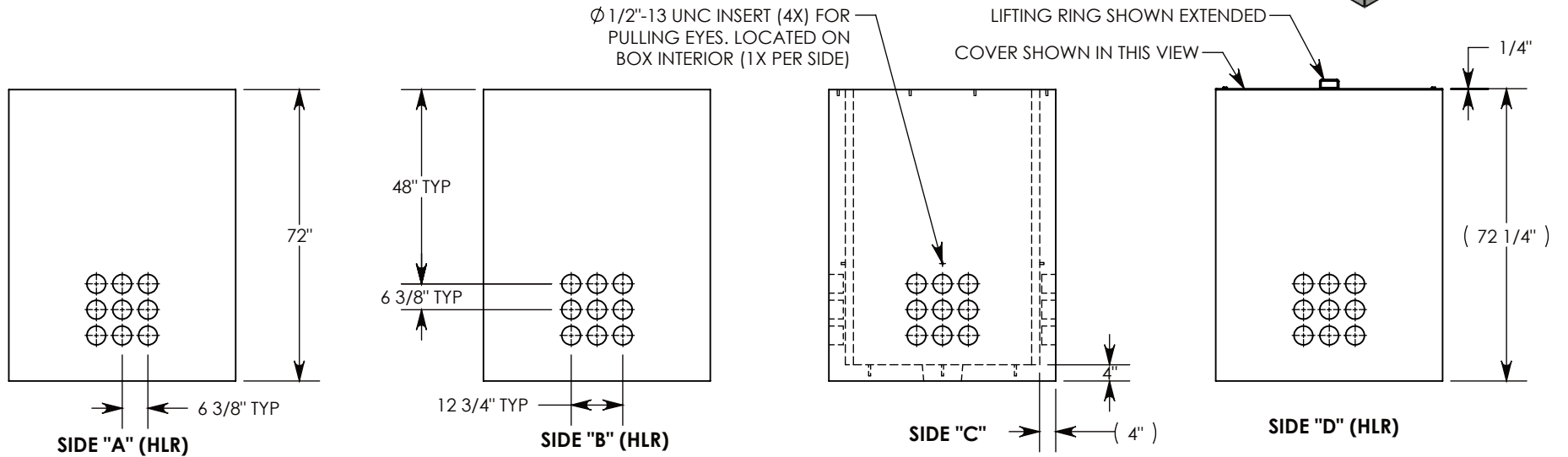
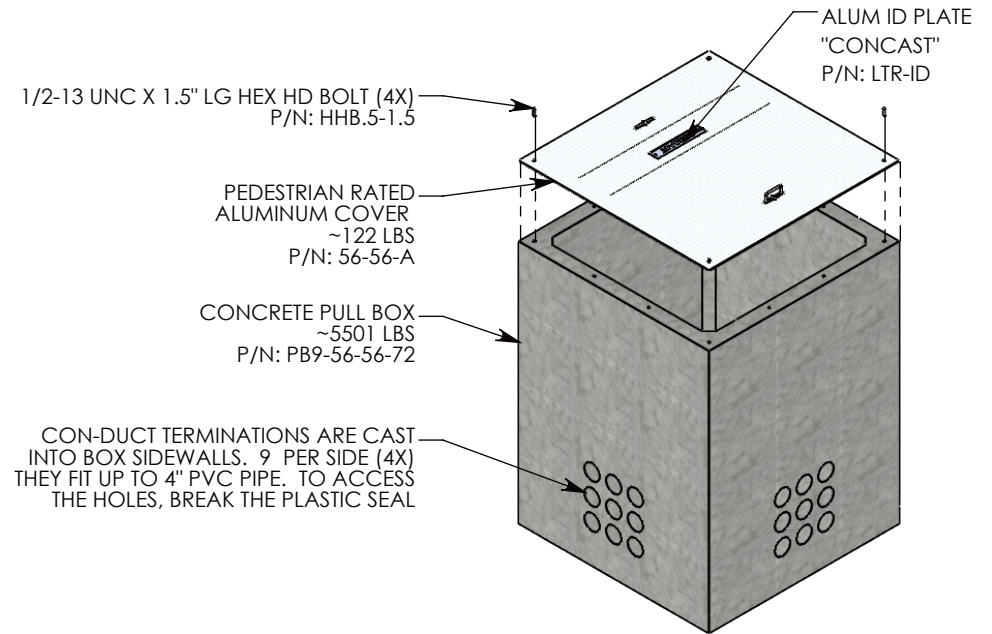
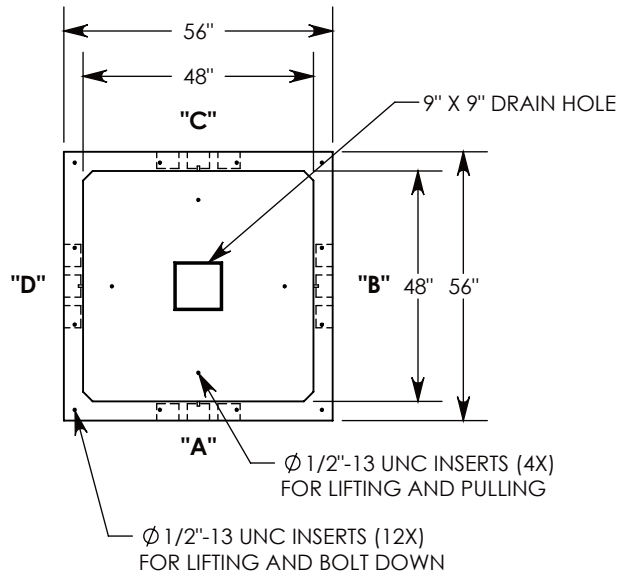


REV. B - SIC - 10/9/2019 - UPDATED NOTES AND DIMENSIONS; 1/2"-13 UNC BOLT DOWN INSERTS, QTY: 12 WAS QTY: 4
 REV. C - SIC - 2/19/2020 - UPDATED ALUMINUM COVER WEIGHT, WAS 127 LBS



NOTE 1: FOR PVC SIZES SMALLER THAN 4", USE CONCAST RC41 (REDUCING COUPLER)
 NOTE 2: FOR ADDED SECURITY, PENTA HEAD BOLTS (P/N: PTA.5-1.5) CAN BE ADDED

PEDESTRIAN RATED - 200 LB. PER SQ. FOOT

| | |
|---------------------------------|----------------------------|
| DRAWN BY: MALACHI MLINAR | |
| CREATED DATE: 3/26/2010 | REVISION LEVEL: C |
| SAVED DATE: 2/19/2020 | SAVED BY: scallahan |
| WEIGHT: 5624 LBS. | MATERIAL: NOTED |

1010 NORTH STAR DRIVE
 P.O. BOX 69
 ZUMBROTA, MN 55992-0069

| | | |
|--|--|--------------|
| DESCRIPTION: PULL BOX W/ ALUMINUM COVER | | SHEET 1 OF 1 |
| DIMENSIONS ARE IN INCHES TOLERANCES: FRACTIONAL: ± 1/8" ANGULAR: ± 2° | CONTACT INFORMATION: EMAIL: INFO@CONCASTINC.COM PHONE: (507) 732-4095 FAX: (507) 732-4094 | |
| PART NUMBER: PB9-56-56-72-A | | |