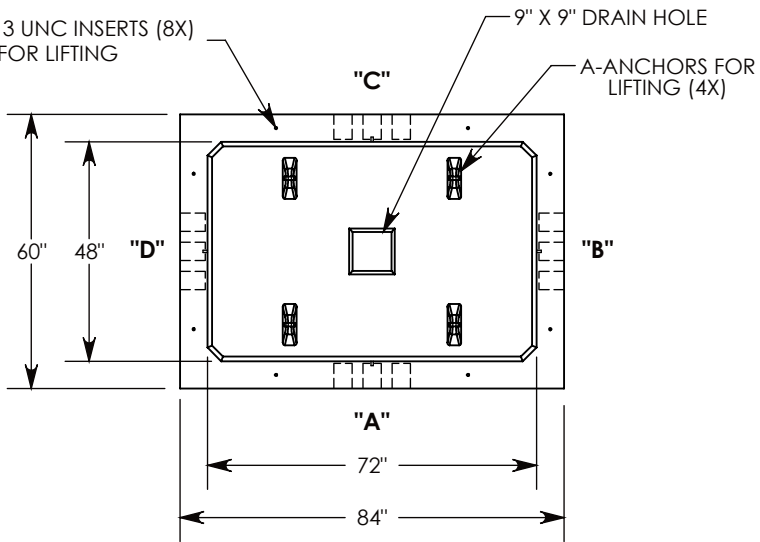
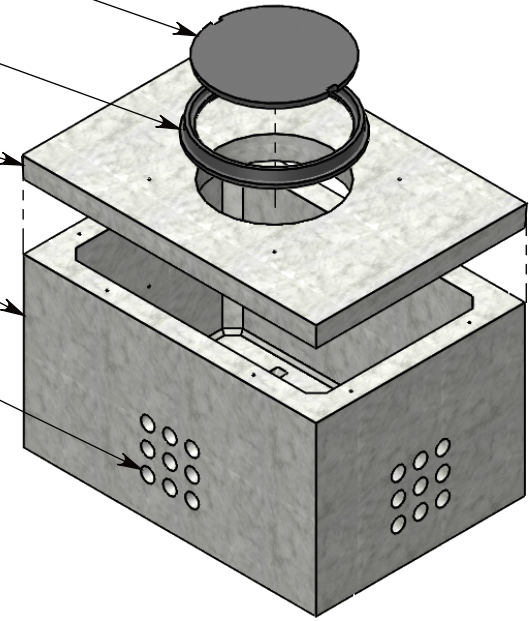


Ø 1/2"-13 UNC INSERTS (8X)  
FOR LIFTING

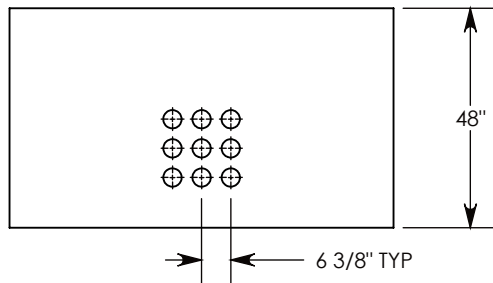


- CAST IRON MANHOLE LID  
~353 LBS  
P/N: CI-38-32-CVR
- 34 INCH CAST IRON FRAME  
~178 LBS  
P/N: CI-38-32-FRM
- H-20 HEAVY TRAFFIC RATED  
CONCRETE MANHOLE COVER  
~2296 LBS  
P/N: 60-84-MH
- CONCRETE PULL BOX  
~7735 LBS  
P/N: PB9-60-84-48

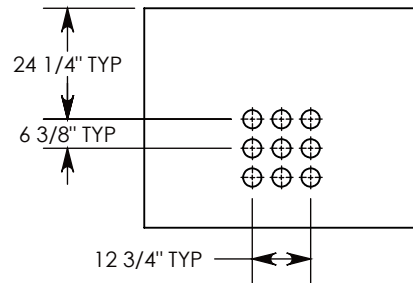


CON-DUCT TERMINATIONS ARE CAST INTO BOX SIDEWALLS. 9 PER SIDE (4X) THEY FIT UP TO 4" PVC PIPE. TO ACCESS THE HOLES, BREAK THE PLASTIC SEAL

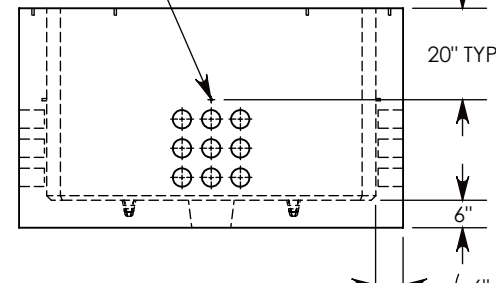
Ø 1/2"-13 UNC INSERT (4X) FOR PULLING EYES. LOCATED ON BOX INTERIOR (1X PER SIDE)



SIDE "A" (HLR)

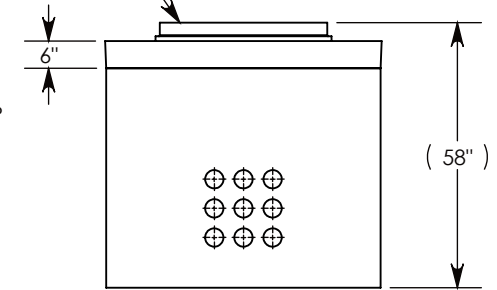


SIDE "B" (HLR)



SIDE "C"

COVER SHOWN IN THIS VIEW



SIDE "D" (HLR)

NOTE 1: FOR PVC SIZES SMALLER THAN 4", USE CONCAST RC41 (REDUCING COUPLER).

AASHTO H-20 RATED - 32,000 LB. SINGLE AXLE LOAD

**DRAWN BY: ROBIN FLINT**

**DATE: 8/13/2018**

**REVISION LEVEL: B**

**WEIGHT:**

**MATERIAL:**

**10563 LBS. W/COVER**

**NOTED**



**DESCRIPTION:**

**PULL BOX W/MANHOLE COVER**

DIMENSIONS ARE IN INCHES  
TOLERANCES:  
FRACTIONAL: ± 1/8"  
ANGULAR: ± 2°

CONTACT INFORMATION:  
EMAIL: INFO@CONCASTINC.COM  
PHONE: (507) 732-4095  
FAX: (507) 732-4094

SHEET 1 OF 1

**PART NUMBER:**

**PB9-60-84-48-MH**