

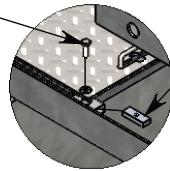
H-20 HEAVY TRAFFIC RATED
SPRING-ASSISTED GALV. STEEL
FRAME & SPA COVERS
~1027 LBS. P/N: 72-96-SPA
& (8) HHB.5-1.5
& (8) WSR.50-1.38

PULL BOX JOINT TIE STRAP
P/N: T-STRAP-1 (8X)

1/2-13 UNC X 1.5" LG HEX HD BOLT
P/N: HHB.5-1.5 (8X)

CON-DUCT TERMINATIONS ARE CAST
INTO BOX SIDEWALLS. 9 PER SIDE (4X)
THEY FIT UP TO 4" PVC PIPE. TO ACCESS
THE HOLES, BREAK THE PLASTIC SEAL

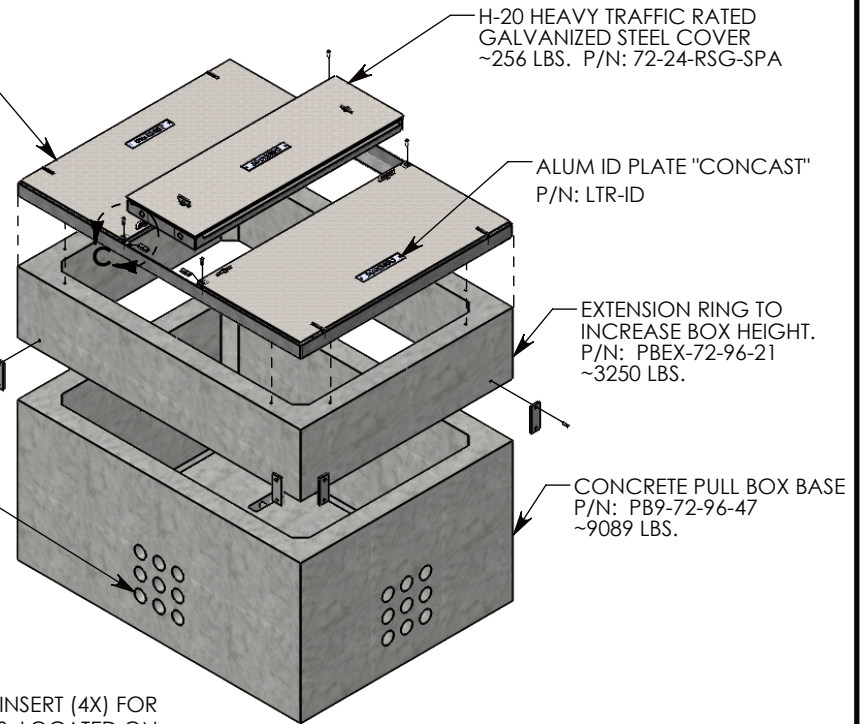
3/8-16 UNC X 1.5" LG PENTA HD BOLT
P/N: PTA.38-1.5 (4X)



DETAIL C
SCALE 1 : 18

AL. FLOATING NUT; 2-3/4" X 1 X .5" THICK
P/N: FLT-NUT-3 (4X)

Ø .50-13 UNC INSERT (4X) FOR
PULLING EYES. LOCATED ON
BOX INTERIOR (1X PER SIDE)

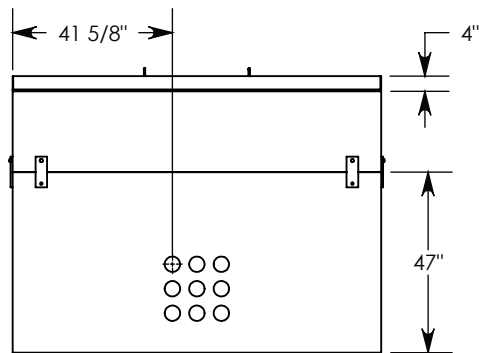


H-20 HEAVY TRAFFIC RATED
GALVANIZED STEEL COVER
~256 LBS. P/N: 72-24-RSG-SPA

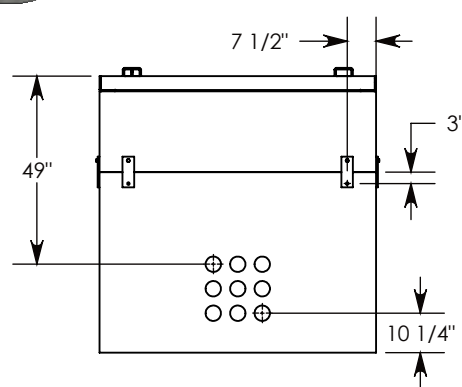
ALUM ID PLATE "CONCAST"
P/N: LTR-ID

EXTENSION RING TO
INCREASE BOX HEIGHT.
P/N: PBEX-72-96-21
~3250 LBS.

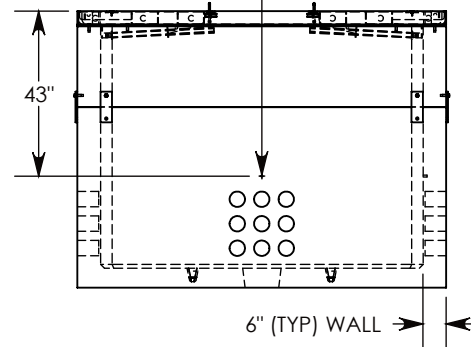
CONCRETE PULL BOX BASE
P/N: PB9-72-96-47
~9089 LBS.



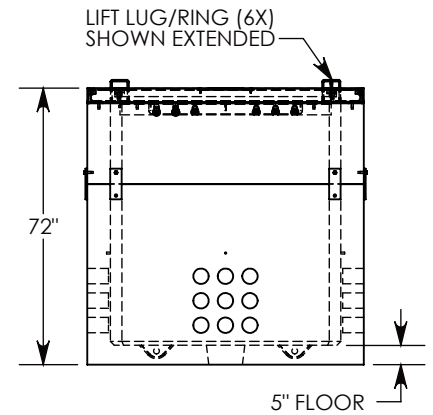
SIDE "A" (HLR)



SIDE "B" (HLR)



SIDE "C"



SIDE "D"

NOTE 1: FOR PVC SIZES SMALLER THAN 4", USE CONCAST RC41 (REDUCING COUPLER).

H-20 RATED - 32,000 LB. PER AXLE LOAD.

DRAWN BY: JESSE GUTTING

DATE: 11/5/2016

REVISION LEVEL: 0

WEIGHT:

13652 LBS. W/COVERS

MATERIAL:

NOTED



1010 NORTH STAR DRIVE
P.O. BOX 69
ZUMBROTA, MN 55992-0069

DESCRIPTION:

CONCRETE PULL BOX W/GALV. STEEL SPA COVER

DIMENSIONS ARE IN INCHES
TOLERANCES:
FRACTIONAL: ± 1/8"
ANGULAR: ± 2°

CONTACT INFORMATION:
EMAIL: INFO@CONCASTINC.COM
PHONE: (507) 732-4095
FAX: (507) 732-4094

SHEET 1 OF 1

PART NUMBER:

PB9-72-96-72-SPA