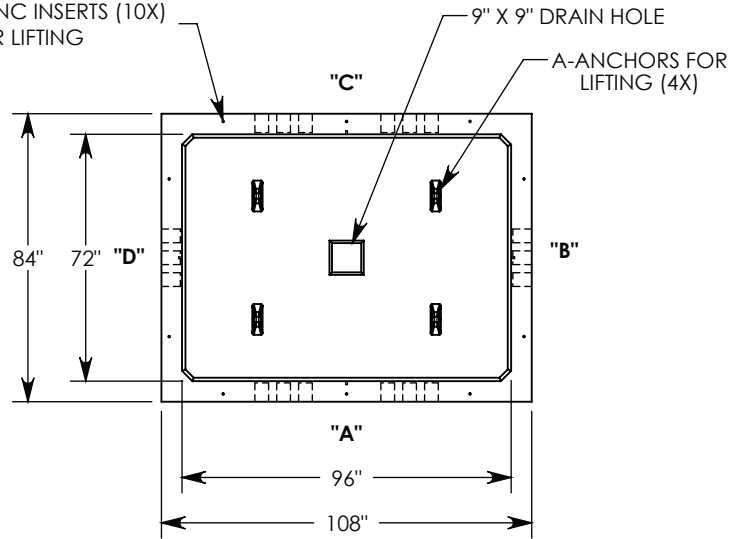


Ø 1/2"-13 UNC INSERTS (10X)
FOR LIFTING



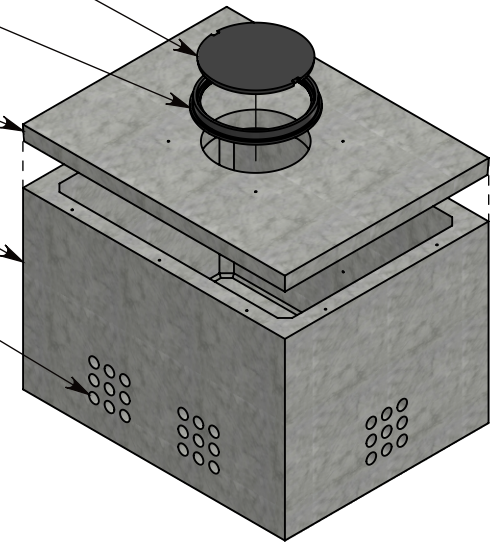
CAST IRON MANHOLE LID
~353 LBS
P/N: CI-38-32-CVR

34 INCH CAST IRON FRAME
~178 LBS
P/N: CI-38-32-FRM

H-20 HEAVY TRAFFIC RATED
CONCRETE MANHOLE COVER
~4518 LBS
P/N: 84-108-MH

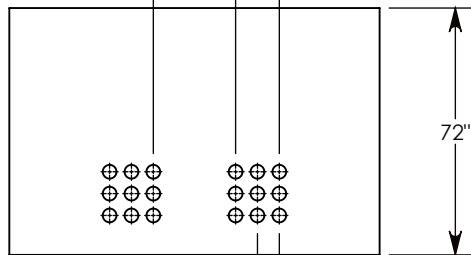
CONCRETE PULL BOX
~15882 LBS
P/N: PB9-84-108-72

CON-DUCT TERMINATIONS ARE CAST INTO
BOX SIDEWALLS. SETS OF 9 ON EACH SIDE.
THEY FIT UP TO 4" PVC PIPE. TO ACCESS
THE HOLES, BREAK THE PLASTIC SEAL

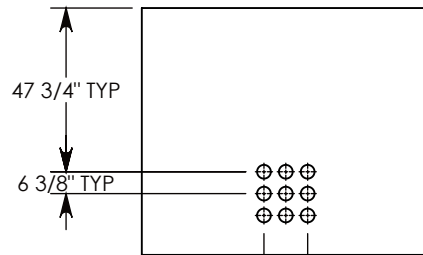


Ø 1/2"-13 UNC INSERT (4X) FOR
PULLING EYES. LOCATED ON
BOX INTERIOR (1X PER SIDE)

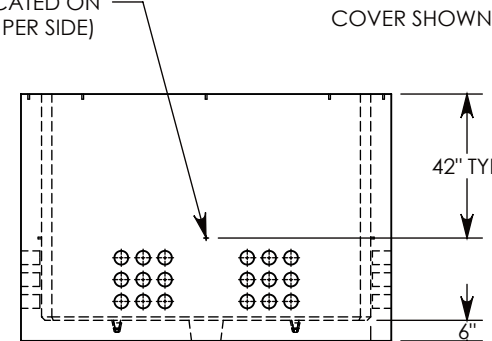
24" TYP 29 1/4" TYP



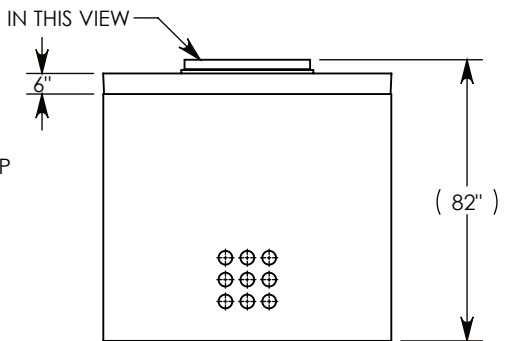
SIDE "A" (HLR)



SIDE "B" (HLR)



SIDE "C"



SIDE "D" (HLR)

NOTE 1: FOR PVC SIZES SMALLER THAN 4", USE CONCAST RC41 (REDUCING COUPLER).

AASHTO H-20 RATED – 32,000 LB. SINGLE AXLE LOAD

DRAWN BY: **MALACHI MLINAR**

DATE: **4/3/2019**

REVISION LEVEL: **A**

WEIGHT:

20931 LBS.

MATERIAL:

NOTED



1010 NORTH STAR DRIVE
P.O. BOX 69
ZUMBROTA, MN 55992-0069

DESCRIPTION:

PULL BOX W/ ALUMINUM COVER

DIMENSIONS ARE IN INCHES

TOLERANCES:
FRACTIONAL: ± 1/8"
ANGULAR: ± 2°

CONTACT INFORMATION:
EMAIL: INFO@CONCASTINC.COM
PHONE: (507) 732-4095
FAX: (507) 732-4094

SHEET 1 OF 1

PART NUMBER:

PB9-84-108-72-MH