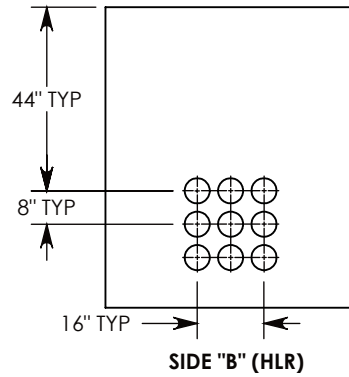
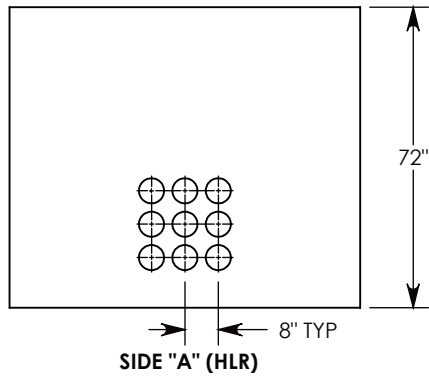
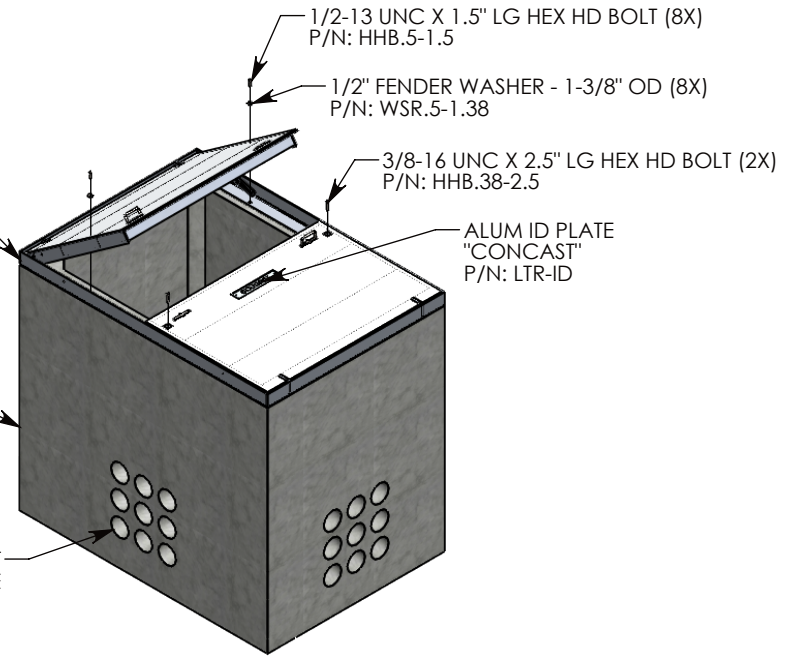


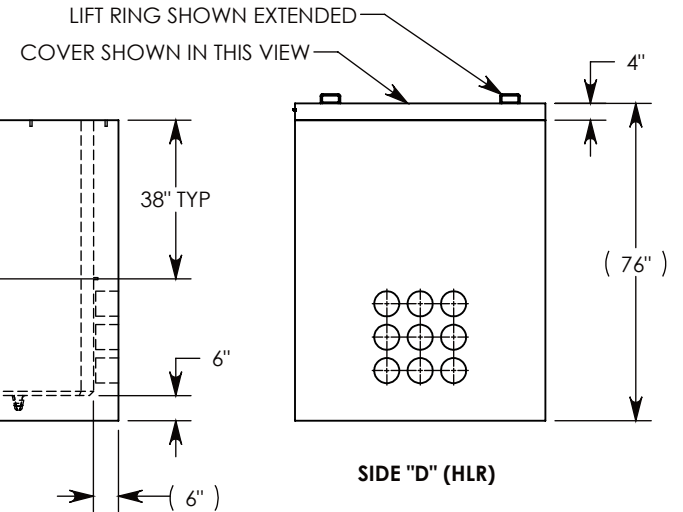
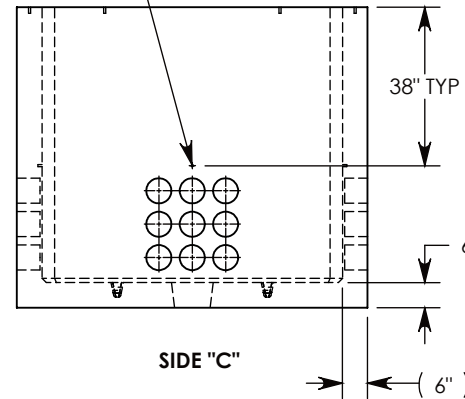
BOLT-DOWN ALUMINUM FRAME & HA COVER
~256 LBS
P/N: 60-84-HA

CONCRETE PULL BOX
~10630 LBS
P/N: PB96-60-84-72

CON-DUCT TERMINATIONS ARE CAST INTO BOX SIDEWALLS. 9 PER SIDE THEY FIT UP TO 6" PVC PIPE. TO ACCESS THE HOLES, BREAK THE PLASTIC SEAL.



Ø 1/2"-13 UNC INSERT (4X) FOR PULLING EYES. LOCATED ON BOX INTERIOR (1X PER SIDE)



NOTE 1: FOR ADDED SECURITY, PENTA HEAD (P/N: PTA.38-2.5) OR SURELOCK BOLT (P/N: SL.38-2.5) CAN BE ADDED

PEDESTRIAN RATED - 200 LB. PER SQ. FOOT

DRAWN BY: **SAMUEL CALLAHAN**

DATE: **6/10/2019**

REVISION LEVEL: **0**

WEIGHT:

10887 LBS.

MATERIAL:

NOTED

CONCAST
1010 NORTH STAR DRIVE
P.O. BOX 69
ZUMBROTA, MN 55992-0069

DESCRIPTION:

PULL BOX W/ HINGED ALUMINUM COVERS

DIMENSIONS ARE IN INCHES

TOLERANCES:
FRACTIONAL: ± 1/8"
ANGULAR: ± 2°

CONTACT INFORMATION:
EMAIL: INFO@CONCASTINC.COM
PHONE: (507) 732-4095
FAX: (507) 732-4094

SHEET 1 OF 1

PART NUMBER:

PB96-60-84-72-HA