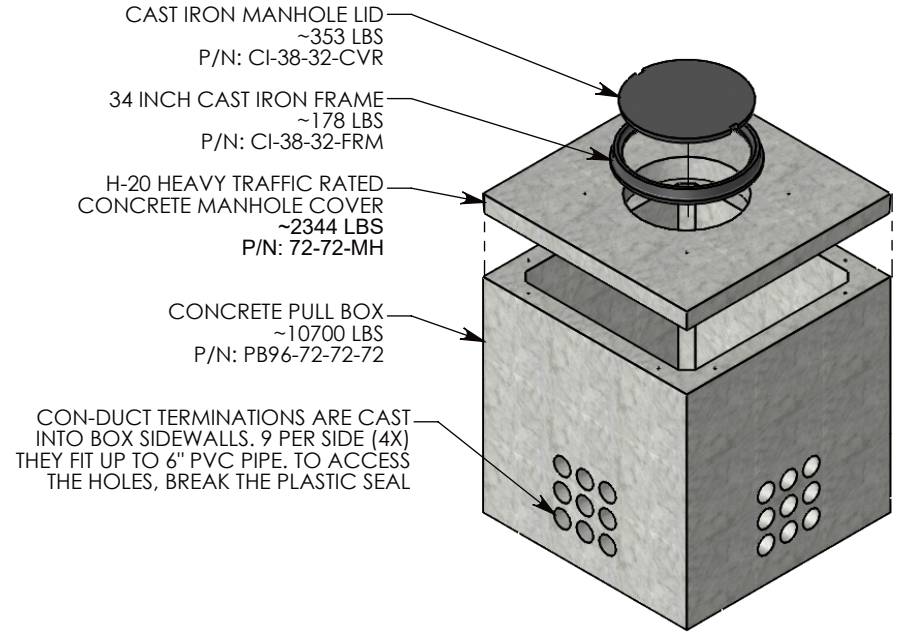
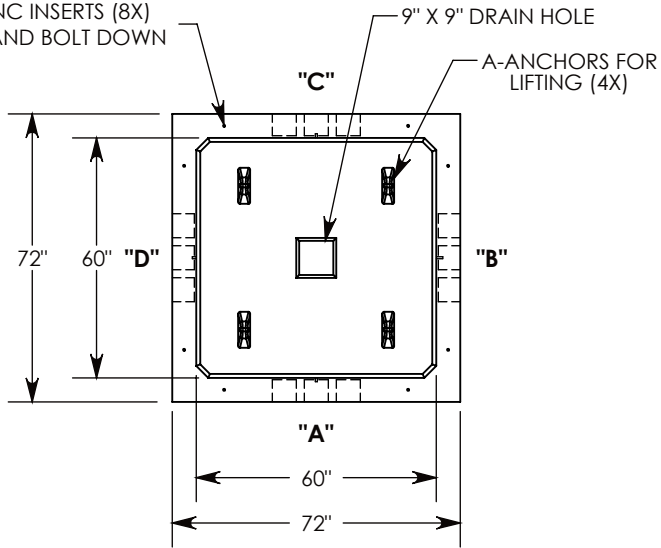
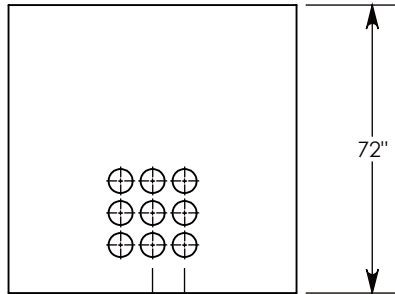


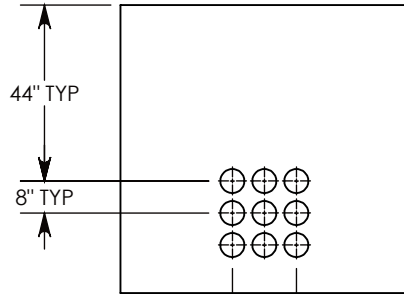
Ø 1/2"-13 UNC INSERTS (8X)
FOR LIFTING AND BOLT DOWN



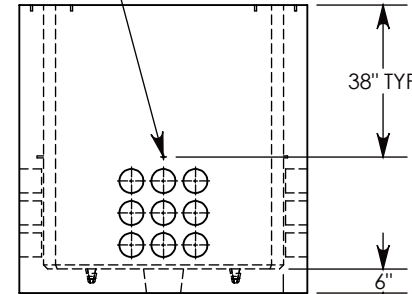
Ø 1/2"-13 UNC INSERT (4X) FOR
PULLING EYES. LOCATED ON
BOX INTERIOR (1X PER SIDE)



SIDE "A" (HLR)

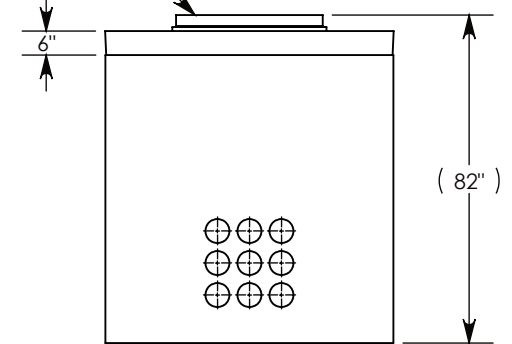


SIDE "B" (HLR)



SIDE "C"

COVER SHOWN IN THIS VIEW



SIDE "D" (HLR)

AASHTO H-20 RATED - 32,000 LB. SINGLE AXLE LOAD

DRAWN BY: ROBIN FLINT

DATE: 8/20/2018

REVISION LEVEL: B

WEIGHT:

MATERIAL:

13575 LBS. W/COVER

NOTED



DESCRIPTION:

PULL BOX W/MANHOLE COVER

DIMENSIONS ARE IN INCHES
TOLERANCES:
FRACTIONAL: ± 1/8"
ANGULAR: ± 2°

CONTACT INFORMATION:
EMAIL: INFO@CONCASTINC.COM
PHONE: (507) 732-4095
FAX: (507) 732-4094

SHEET 1 OF 1

PART NUMBER:

PB96-72-72-72-MH