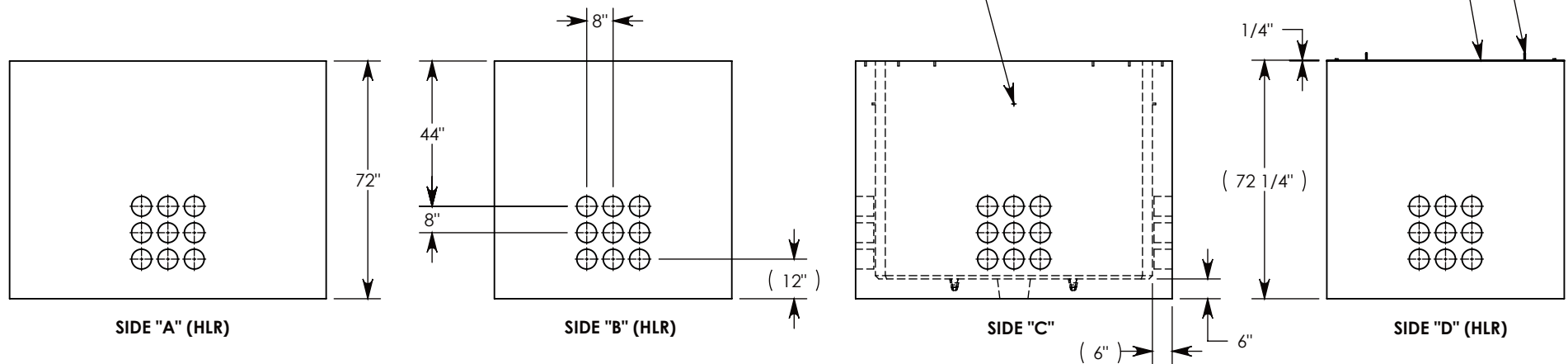


Ø 1/2-13 UNC INSERT (4X) FOR PULLING EYES. LOCATED ON BOX INTERIOR (1X PER SIDE)



NOTE 1: STANDARD DEPTH OF 72" IS SHOWN. OTHER DEPTHS ARE AVAILABLE UPON REQUEST

NOTE 2: FOR ADDED SECURITY, PENTA HEAD BOLTS (P/N: PTA.5-1.5) CAN BE ADDED

PEDESTRIAN RATED - 200 LB. PER SQ. FOOT

DRAWN BY: JESSE GUTTING		 1010 NORTH STAR DRIVE P.O. BOX 69 ZUMBROTA, MN 55992-0069	DESCRIPTION: CONCRETE PULL BOX W/ ALUMINUM COVERS		
CREATED DATE: 3/10/2020	REVISION LEVEL: A		DIMENSIONS ARE IN INCHES	CONTACT INFORMATION:	SHEET 1 OF 1
SAVED DATE: 8/2/2021	SAVED BY: jgutting		TOLERANCES: FRACTIONAL: ± 1/8" ANGULAR: ± 2°	EMAIL: INFO@CONCASTINC.COM PHONE: (507) 732-4095 FAX: (507) 732-4094	
WEIGHT: 13398 LBS.	MATERIAL: NOTED		PART NUMBER: PB96-72-96-72-A		