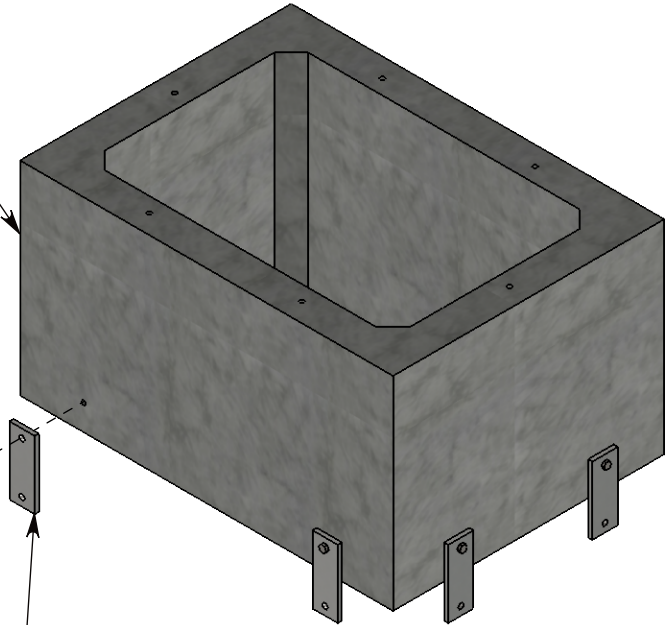


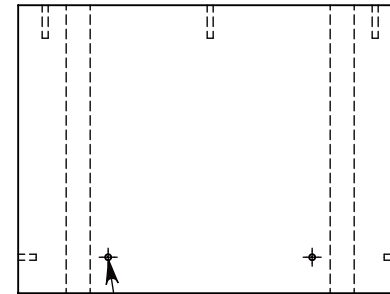
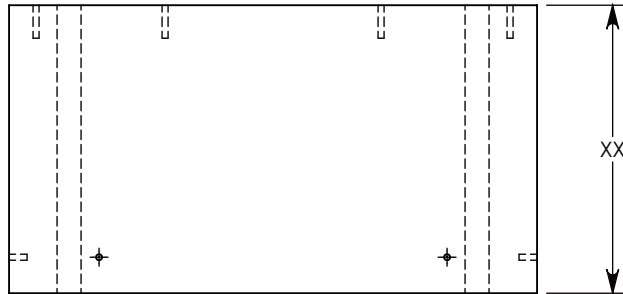
Ø 1/2"-13 UNC INSERT (6X)
FOR LIFTING AND BOLT DOWN

STEEL REINFORCED CONCRETE



1/2-13 UNC X 1.5" LG HEX HD BOLT
P/N: HHB.5-1.5 (8X)

PULL BOX JOINT TIE STRAP
P/N: T-STRAP-1 (8X)



Ø 1/2"-13 UNC INSERT (8X)
FOR TIE STRAP

NOTE 1: XX CAN BE ANY HEIGHT, IN 1 INCH INCREMENTS, FROM 6" (MIN) TO 48" (MAX)
EX: A 24" EXTENSION WOULD BE NAMED PBEX-32-44-24

DRAWN BY: **JESSE GUTTING**

CREATED DATE: **10/29/2020** REVISION LEVEL: **0**

SAVED DATE: **10/29/2020** SAVED BY: **jgutting**

WEIGHT: **~ LBS.** MATERIAL: **NOTED**



1010 NORTH STAR DRIVE
P.O. BOX 69
ZUMBROTA, MN 55992-0069

DESCRIPTION:

PULL BOX EXTENSION

DIMENSIONS ARE IN INCHES
TOLERANCES:
FRACTIONAL: ± 1/8"
ANGULAR: ± 2°

CONTACT INFORMATION:
EMAIL: INFO@CONCASTINC.COM
PHONE: (507) 732-4095
FAX: (507) 732-4094

SHEET 1 OF 1

PART NUMBER:

PBEX-32-44-XX