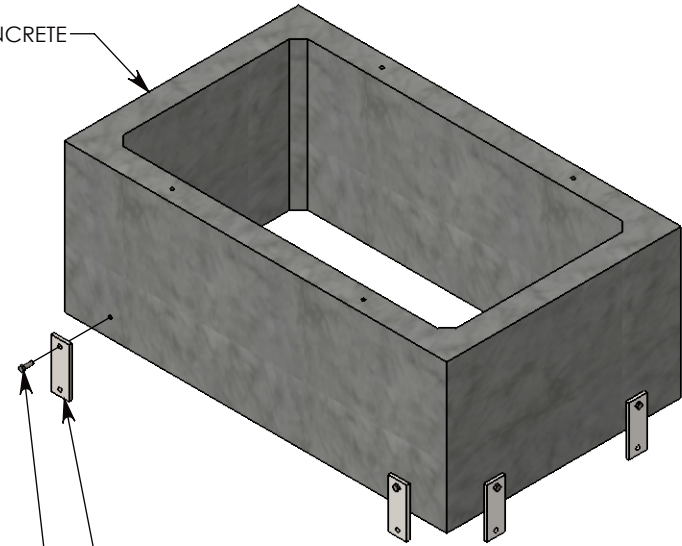


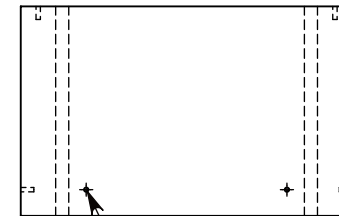
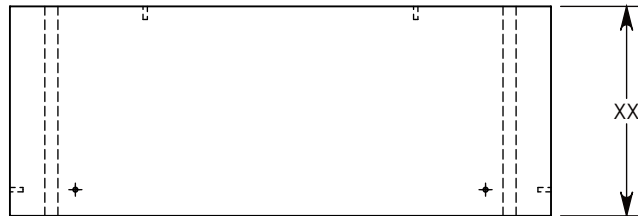
Ø 1/2"-13 UNC INSERT (4X)
FOR LIFTING & BOLT DOWN

STEEL REINFORCED CONCRETE



PULL BOX JOINT TIE STRAP
P/N: T-STRAP-1 (8X)

1/2-13 UNC X 1.5" LG HEX HD BOLT
P/N: HHB.5-1.5 (8X)



Ø 1/2"-13 UNC INSERT (8X)
FOR TIE STRAP

NOTE 1: XX CAN BE ANY HEIGHT, IN 1 INCH INCREMENTS, FROM 6" (MIN) TO 48" (MAX)
EX: A 24" EXTENSION WOULD BE NAMED PBEX-38-62-24

DRAWN BY: JESSE GUTTING	
CREATED DATE: 4/9/2019	REVISION LEVEL: 0
SAVED DATE: 7/6/2020	SAVED BY: jgutting
WEIGHT: 17866 LBS.	MATERIAL: NOTED



CONCAST
1010 NORTH STAR DRIVE
P.O. BOX 69
ZUMBROTA, MN 55992-0069

DESCRIPTION: PULL BOX EXTENSION RING		SHEET 1 OF 1
DIMENSIONS ARE IN INCHES TOLERANCES: FRACTIONAL: ± 1/8" ANGULAR: ± 2°	CONTACT INFORMATION: EMAIL: INFO@CONCASTINC.COM PHONE: (507) 732-4095 FAX: (507) 732-4094	
PART NUMBER: PBEX-38-62-XX		