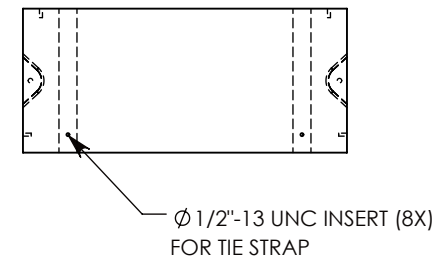
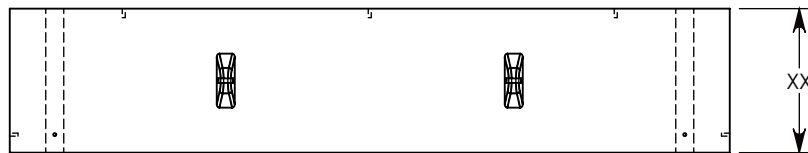
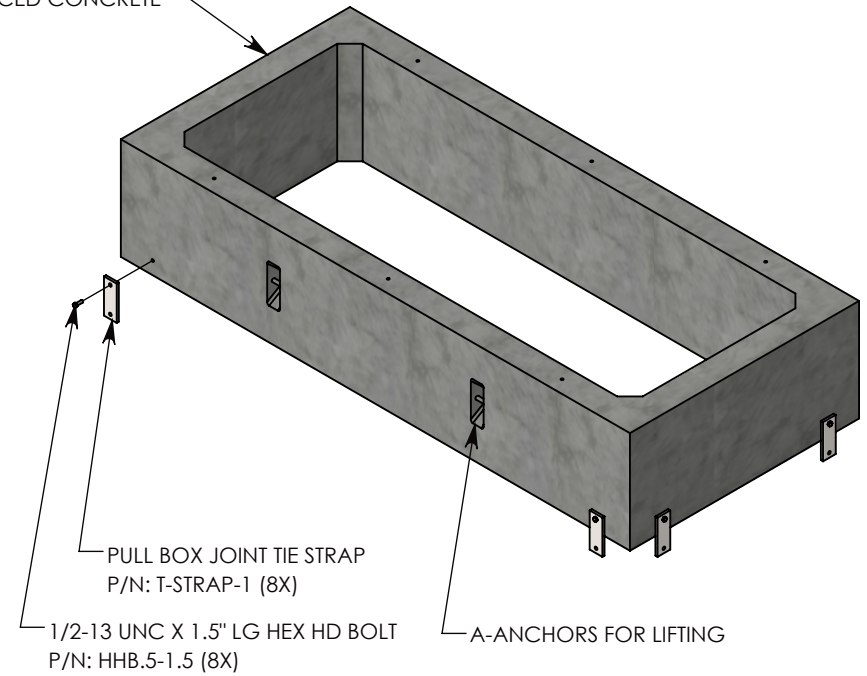


STEEL REINFORCED CONCRETE



NOTE 1: XX CAN BE ANY HEIGHT, IN 1 INCH INCREMENTS, FROM 12" (MIN) TO 71" (MAX)
 EX: A 24" EXTENSION WOULD BE NAMED PBEX-54-120-24

DRAWN BY: ROSS LAGER		 1010 NORTH STAR DRIVE P.O. BOX 69 ZUMBROTA, MN 55992-0069	DESCRIPTION: PULL BOX EXTENSION		
DATE: 5/6/2019	REVISION LEVEL: 0		DIMENSIONS ARE IN INCHES TOLERANCES: FRACTIONAL: ± 1/8" ANGULAR: ± 2°	CONTACT INFORMATION: EMAIL: INFO@CONCASTINC.COM PHONE: (507) 732-4095 FAX: (507) 732-4094	SHEET 1 OF 1
WEIGHT: ~ LBS.	MATERIAL: NOTED		PART NUMBER: PBEX-54-120-XX		