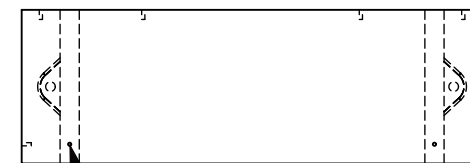
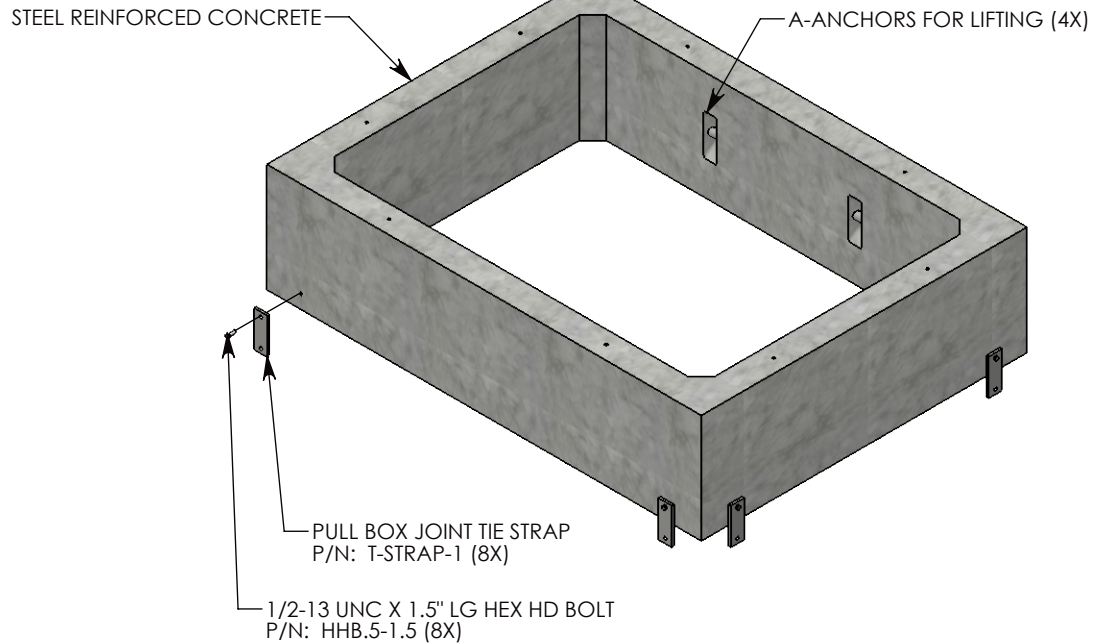
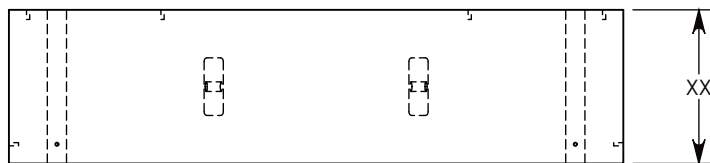


Ø 1/2"-13 UNC INSERT (8X)
FOR BOLT DOWN



Ø 1/2"-13 UNC INSERT (8X)
FOR TIE STRAPS

NOTE 1: XX CAN BE ANY HEIGHT, IN 1 INCH INCREMENTS, FROM 12" (MIN) TO 65" (MAX)
EX: A 24" EXTENSION WOULD BE NAMED PBEX-72-96-24

DRAWN BY: **JESSE GUTTING**

CREATED DATE: **10/29/2020** REVISION LEVEL: **0**

SAVED DATE: **10/29/2020** SAVED BY: **jgutting**

WEIGHT: **3728 LBS.** MATERIAL: **NOTED**



DESCRIPTION:

PULL BOX EXTENSION RING

DIMENSIONS ARE IN INCHES
TOLERANCES:
FRACTIONAL: ± 1/8"
ANGULAR: ± 2°

CONTACT INFORMATION:
EMAIL: INFO@CONCASTINC.COM
PHONE: (507) 732-4095
FAX: (507) 732-4094

SHEET 1 OF 1

PART NUMBER:

PBEX-72-96-XX