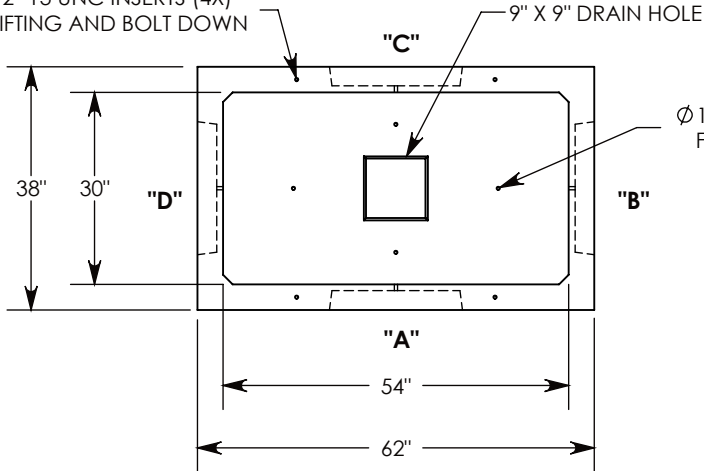


Ø 1/2"-13 UNC INSERTS (4X)  
FOR LIFTING AND BOLT DOWN



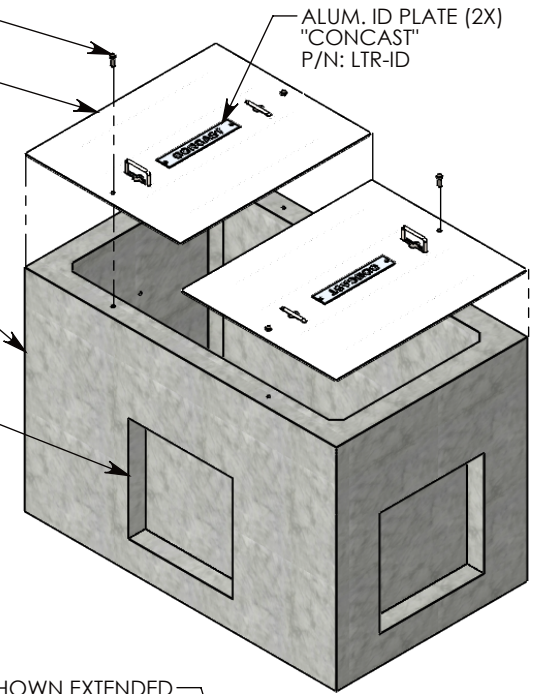
1/2-13 UNC X 1.5" LG HEX HD BOLT (4X)  
P/N: HHB.5-1.5

PEDESTRIAN RATED  
ALUMINUM COVER (2X)  
~37 LBS EACH  
P/N: 38-31-A

ALUM. ID PLATE (2X)  
"CONCAST"  
P/N: LTR-ID

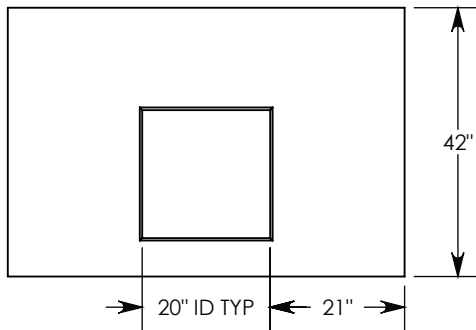
CONCRETE PULL BOX  
~2637 LBS  
P/N: PBK01-38-62-42

3" DEEP KNOCKOUTS  
CAST INTO ALL 4 SIDES

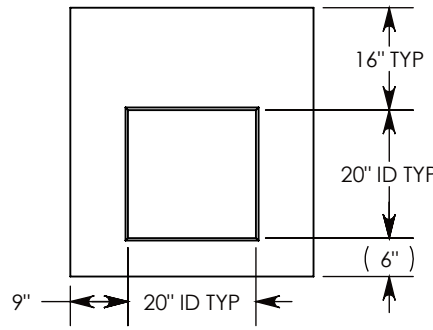


Ø 1/2"-13 UNC INSERT (4X) FOR  
PULLING EYES. LOCATED ON  
BOX INTERIOR (1X PER SIDE)

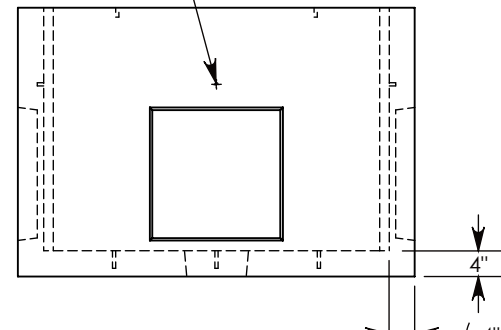
LIFTING RING SHOWN EXTENDED  
COVER SHOWN IN THIS VIEW



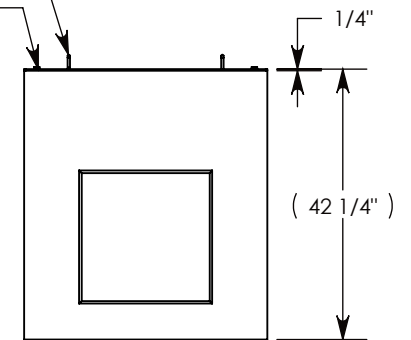
SIDE "A" (HLR)



SIDE "B" (HLR)



SIDE "C"



SIDE "D" (HLR)

NOTE 1: FOR ADDED SECURITY, PENTA HEAD BOLTS (P/N: PTA.5-1.5) CAN BE ADDED

PEDESTRIAN RATED - 200 LB. PER SQ. FOOT

DRAWN BY: **ROBIN FLINT**

CREATED DATE: **4/16/2010**

REVISION LEVEL: **C**

SAVED DATE: **2/19/2020**

SAVED BY: **scallahan**

WEIGHT:  
**2712 LBS.**

MATERIAL:  
**NOTED**

**CONCAST**  
1010 NORTH STAR DRIVE  
P.O. BOX 69  
ZUMBROTA, MN 55992-0069

DESCRIPTION:

**CONCRETE PULL BOX W/AL. COVERS**

DIMENSIONS ARE IN INCHES  
TOLERANCES:  
FRACTIONAL: ± 1/8"  
ANGULAR: ± 2°

CONTACT INFORMATION:  
EMAIL: [INFO@CONCASTINC.COM](mailto:INFO@CONCASTINC.COM)  
PHONE: (507) 732-4095  
FAX: (507) 732-4094

SHEET 1 OF 1

PART NUMBER:

**PBK01-38-62-42-A**