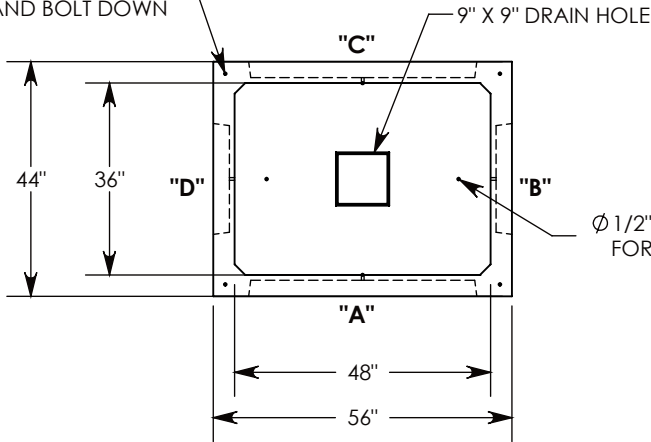
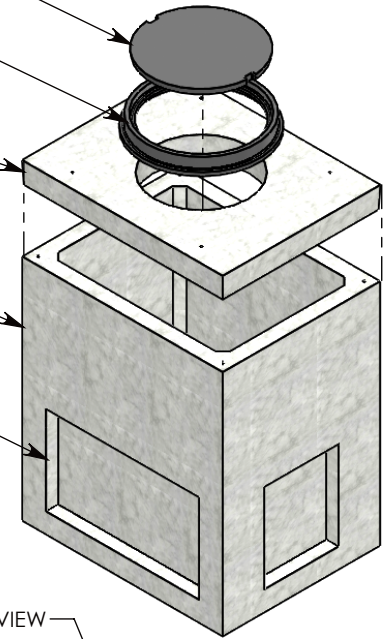


Ø 1/2"-13 UNC INSERTS (4X)  
FOR LIFTING AND BOLT DOWN



Ø 1/2"-13 UNC INSERTS (4X)  
FOR LIFTING & PULLING

- CAST IRON MANHOLE LID  
~239 LBS  
P/N: CI-32-26-CVR
- 34 INCH CAST IRON FRAME  
~150 LBS  
P/N: CI-32-26-FRM
- H-20 HEAVY TRAFFIC RATED  
CONCRETE MANHOLE COVER  
~1016 LBS  
P/N: 44-56-MH

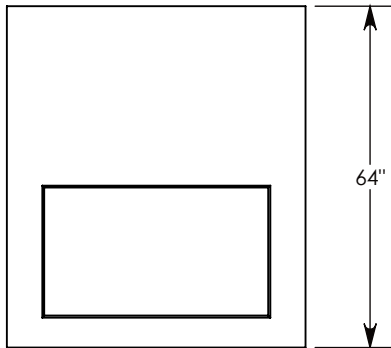


CONCRETE PULL BOX  
~3680 LBS  
P/N: PBK01-44-56-64

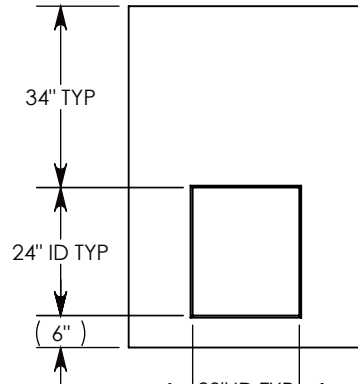
3" DEEP KNOCKOUTS  
CAST INTO ALL 4 SIDES

Ø 1/2"-13 UNC INSERT (4X) FOR  
PULLING EYES. LOCATED ON  
BOX INTERIOR (1X PER SIDE)

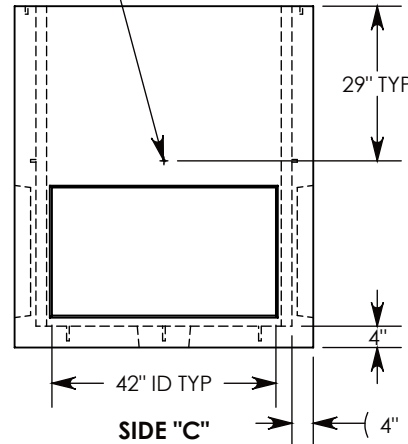
COVER SHOWN IN THIS VIEW



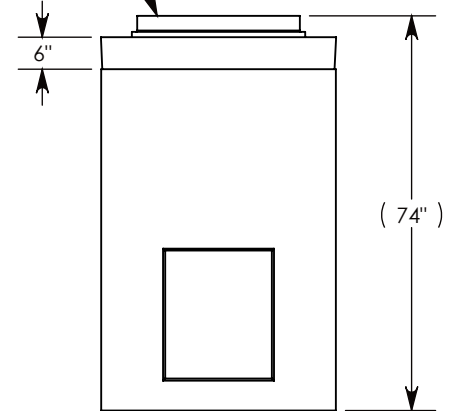
SIDE "A" (HLR)



SIDE "B" (HLR)



SIDE "C"



SIDE "D" (HLR)

AASHTO H-20 RATED - 32,000 LB. SINGLE AXLE LOAD

**DRAWN BY: ROBIN FLINT**

**DATE: 6/4/2018**

**REVISION LEVEL: B**

**WEIGHT:**

**MATERIAL:**

**5085 LBS. W/COVER**

**NOTED**



**CONCAST**  
1010 NORTH STAR DRIVE  
P.O. BOX 69  
ZUMBROTA, MN 55992-0069

**DESCRIPTION:**

**PULL BOX W/ MANHOLE COVER**

DIMENSIONS ARE IN INCHES  
TOLERANCES:  
FRACTIONAL: ± 1/8"  
ANGULAR: ± 2°

CONTACT INFORMATION:  
EMAIL: INFO@CONCASTINC.COM  
PHONE: (507) 732-4095  
FAX: (507) 732-4094

SHEET 1 OF 1

**PART NUMBER:**

**PBK01-44-56-64-MH**