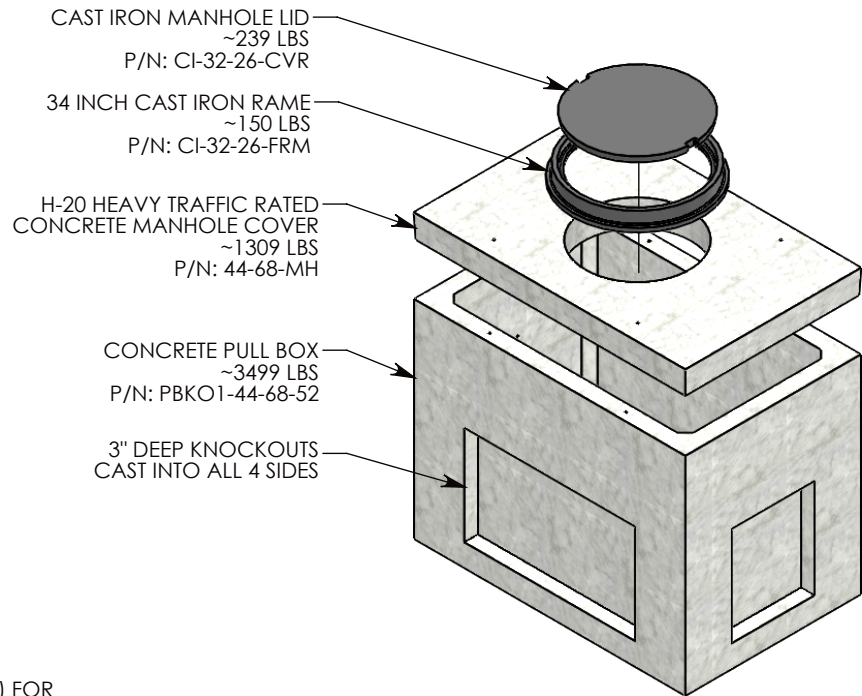
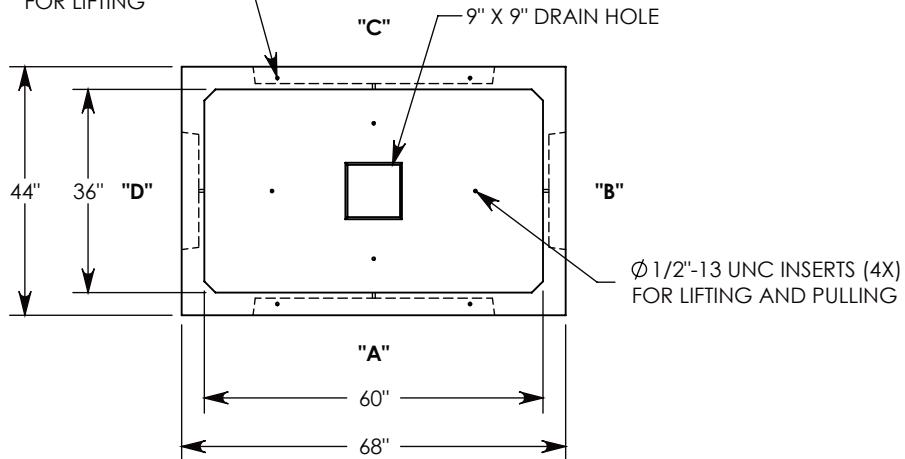
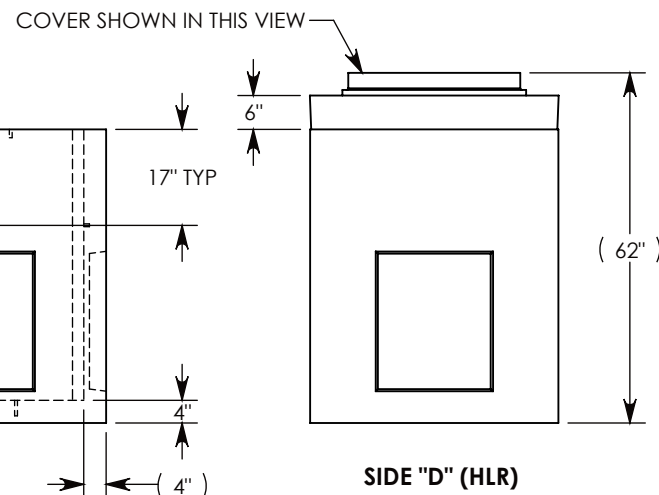
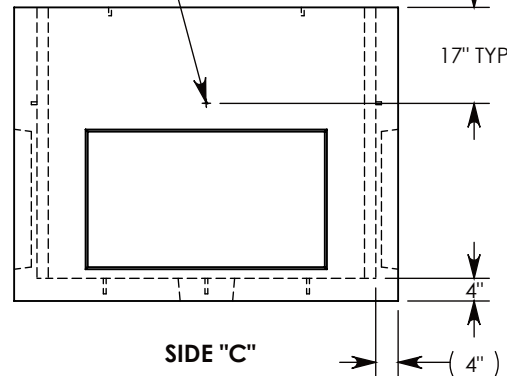
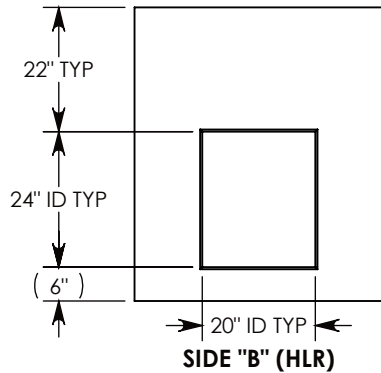
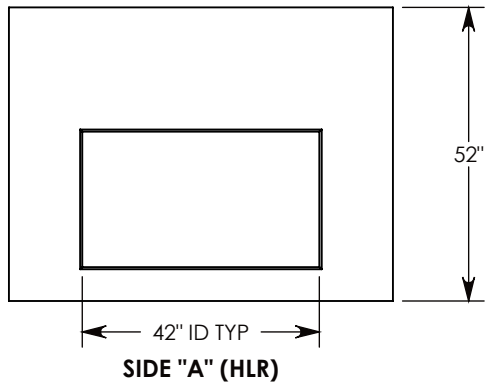


Ø 1/2"-13 UNC INSERTS (4X)  
FOR LIFTING



Ø 1/2"-13 UNC INSERT (4X) FOR  
PULING EYES. LOCATED ON  
BOX INTERIOR (1X PER SIDE)



AASHTO H-20 RATED - 32,000 LB. SINGLE AXLE LOAD

**DRAWN BY:** MALACHI MLINAR

**DATE:** 8/1/2018

**REVISION LEVEL:** A

**WEIGHT:**

**MATERIAL:**

5197 LBS. W/ COVERS

NOTED



**DESCRIPTION:**

**PULL BOX W/ MANHOLE COVER**

DIMENSIONS ARE IN INCHES

TOLERANCES:  
FRACTIONAL: ± 1/8"  
ANGULAR: ± 2°

CONTACT INFORMATION:

EMAIL: INFO@CONCASTINC.COM  
PHONE: (507) 732-4095  
FAX: (507) 732-4094

SHEET 1 OF 1

**PART NUMBER:**

**PBK01-44-68-52-MH**