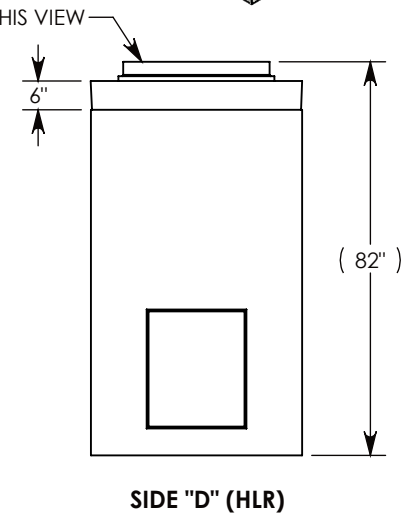
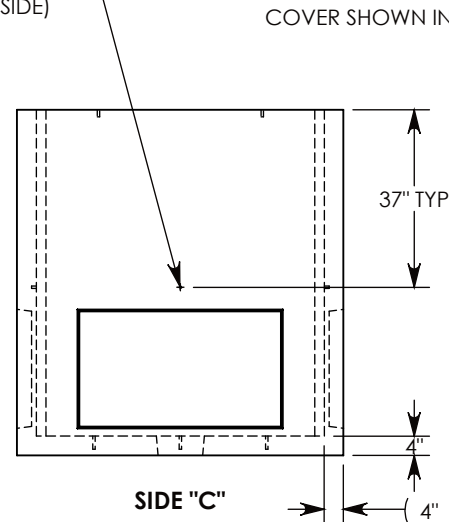
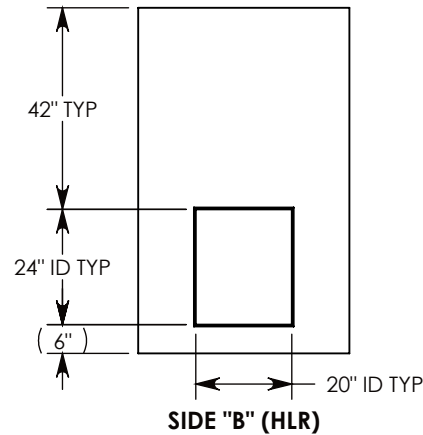
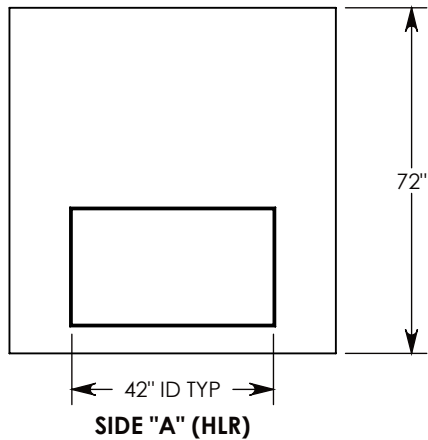


Ø 1/2"-13 UNC INSERT (4X) FOR PULING EYES. LOCATED ON BOX INTERIOR (1X PER SIDE)



AASHTO H-20 RATED – 32,000 LB. SINGLE AXLE LOAD

DRAWN BY: MALACHI MLINAR

DATE: 8/1/2018

REVISION LEVEL: A

WEIGHT:

MATERIAL:

6573 LBS. W/ COVERS

NOTED



DESCRIPTION:

PULL BOX W/ MANHOLE COVER

DIMENSIONS ARE IN INCHES
TOLERANCES:
FRACTIONAL: ± 1/8"
ANGULAR: ± 2°

CONTACT INFORMATION:
EMAIL: INFO@CONCASTINC.COM
PHONE: (507) 732-4095
FAX: (507) 732-4094

SHEET 1 OF 1

PART NUMBER:

PBK01-44-68-72-MH