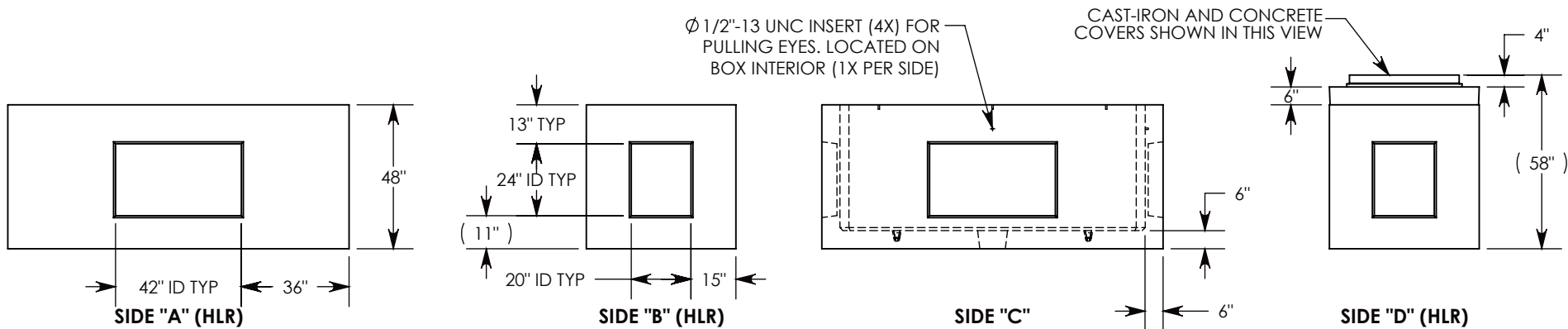
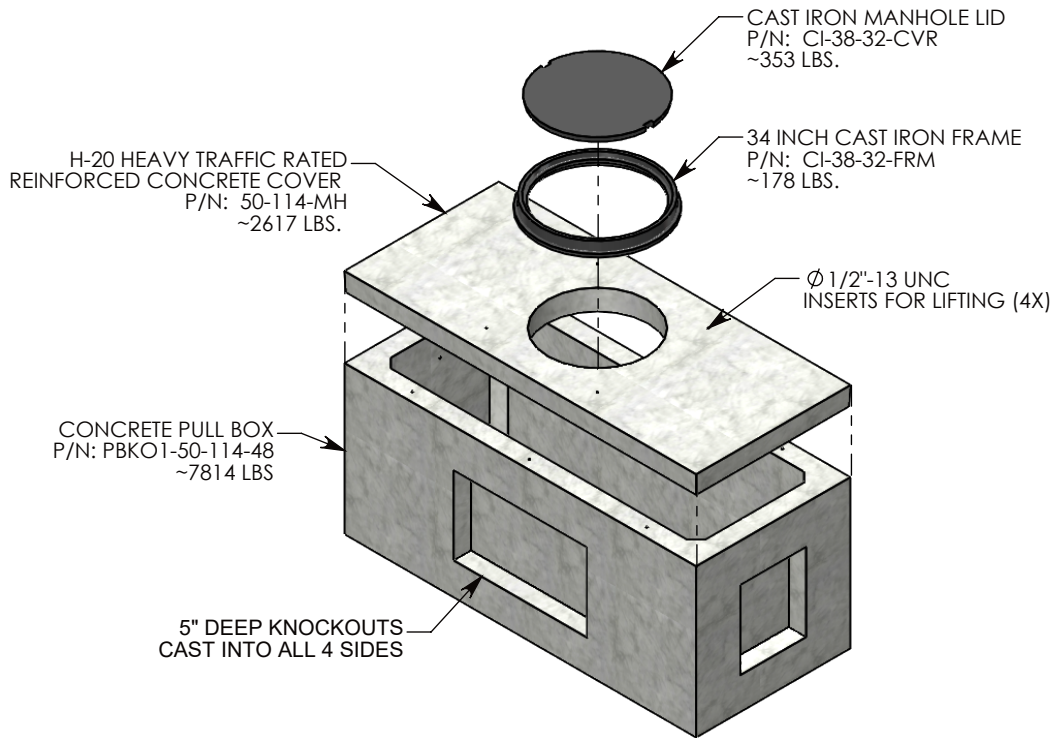
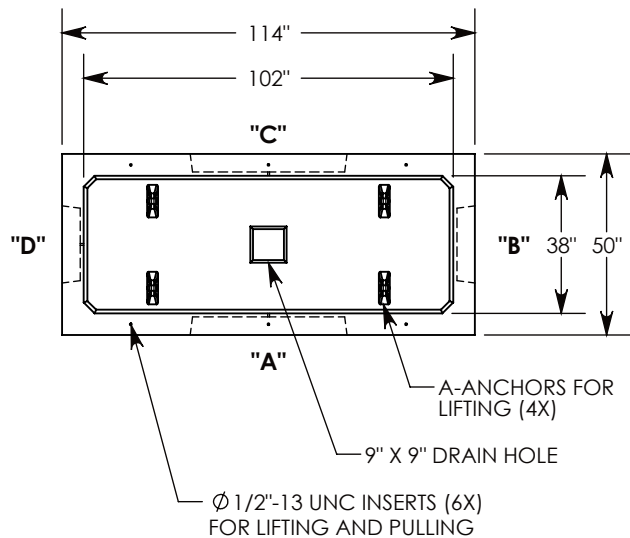


REV. A - SIC - 6/6/2019 - UPDATED ANNOTATIONS, DIMENSIONS, AND VIEWS
 REV. B - SIC - 9/10/2021 - UPDATED TITLEBLOCK AND DIMENSIONS



AASHTO H-20 RATED - 32,000 LB. SINGLE AXLE LOAD

DRAWN BY: ROBIN FLINT	
CREATED DATE: 6/24/2011	REVISION LEVEL: B
SAVED DATE: 9/10/2021	SAVED BY: scallahan
WEIGHT: 10961 LBS.	MATERIAL: NOTED

1010 NORTH STAR DRIVE
P.O. BOX 69
ZUMBROTA, MN 55992-0069

DESCRIPTION: CONCRETE PULL BOX W/MANHOLE COVER	
DIMENSIONS ARE IN INCHES TOLERANCES: FRACTIONAL: ± 1/8" ANGULAR: ± 2°	CONTACT INFORMATION: EMAIL: INFO@CONCASTINC.COM PHONE: (507) 732-4095 FAX: (507) 732-4094
PART NUMBER: PBK01-50-114-48-MH	
SHEET 1 OF 1	