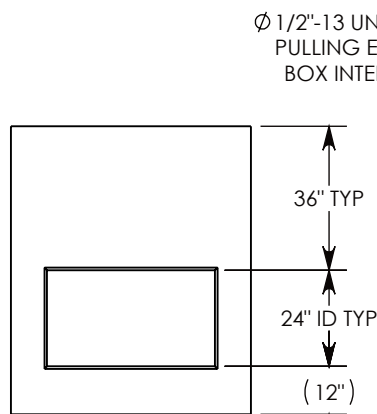
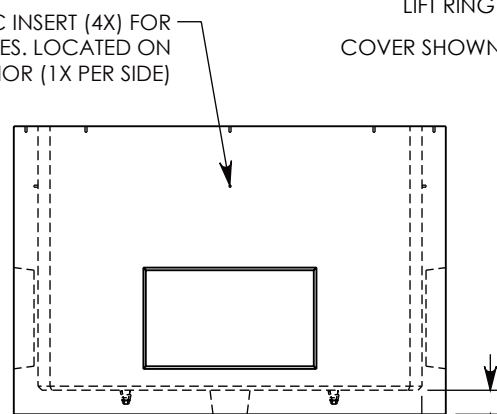


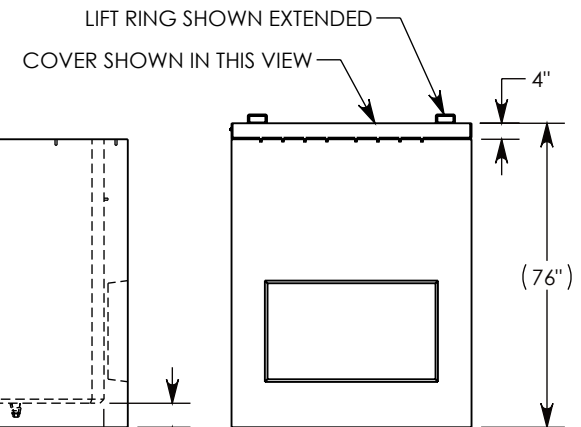
SIDE "A" (HLR)



SIDE "B" (HLR)



SIDE "C"



SIDE "D" (HLR)

NOTE 1: FOR ADDED SECURITY, PENTA HEAD (P/N: PTA.38-1.5) OR SURELOCK BOLTS (P/N: SL.38-1.25) CAN BE ADDED

AASHTO H-20 RATED – 32,000 LB. SINGLE AXLE LOAD

<b>DRAWN BY: SAMUEL CALLAHAN</b>	
<b>CREATED DATE: 11/8/2023</b>	<b>REVISION LEVEL: 0</b>
<b>SAVED DATE: 11/8/2023</b>	<b>SAVED BY: scallahan</b>
<b>WEIGHT: 12715 LBS.</b>	<b>MATERIAL: NOTED</b>

1010 NORTH STAR DRIVE  
P.O. BOX 69  
ZUMBROTA, MN 55992-0069

<b>DESCRIPTION:</b>		SHEET 1 OF 1
<b>PULL BOX W/ GALV. STEEL COVERS</b>		
DIMENSIONS ARE IN INCHES		CONTACT INFORMATION: EMAIL: INFO@CONCASTINC.COM PHONE: (507) 732-4095 FAX: (507) 732-4094
TOLERANCES:		
FRACTIONAL: ± 1/8" ANGULAR: ± 2°		
<b>PART NUMBER:</b>		
<b>PBKO1-60-108-72-SPA</b>		