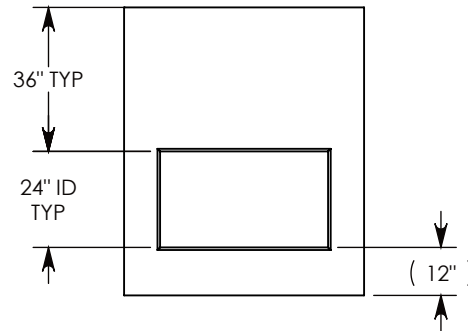
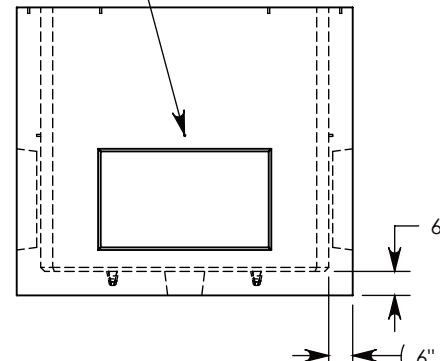


SIDE "A" (HLR)



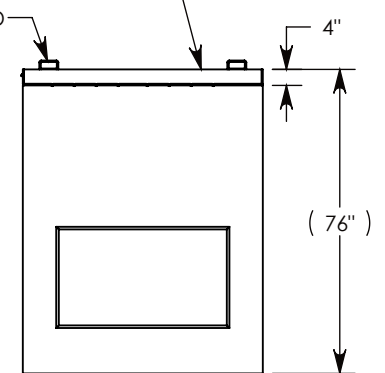
SIDE "B" (HLR)

Ø 1/2"-13 UNC INSERT (4X) FOR PULLING EYES. LOCATED ON BOX INTERIOR (1X PER SIDE)



SIDE "C"

COVER SHOWN IN THIS VIEW



SIDE "D" (HLR)

NOTE 1: FOR ADDED SECURITY, PENTA HEAD (P/N: PTA.38-2.5) OR SURELOCK BOLTS (P/N: SL.38-2.5) CAN BE ADDED

AASHTO H-20 RATED - 32,000 LB. SINGLE AXLE LOAD

DRAWN BY: <b>SAMUEL CALLAHAN</b>	
CREATED DATE: <b>6/7/2019</b>	REVISION LEVEL: <b>C</b>
SAVED DATE: <b>9/3/2020</b>	SAVED BY: <b>jgutting</b>
WEIGHT: <b>10270 LBS.</b>	MATERIAL: <b>NOTED</b>

1010 NORTH STAR DRIVE  
P.O. BOX 69  
ZUMBROTA, MN 55992-0069

DESCRIPTION: <b>CONCRETE PULL BOX W/ SPA COVER</b>		SHEET 1 OF 1
DIMENSIONS ARE IN INCHES TOLERANCES: FRACTIONAL: ± 1/8" ANGULAR: ± 2°	CONTACT INFORMATION: EMAIL: <a href="mailto:INFO@CONCASTINC.COM">INFO@CONCASTINC.COM</a> PHONE: (507) 732-4095 FAX: (507) 732-4094	
PART NUMBER: <b>PBK01-60-84-72-SPA</b>		