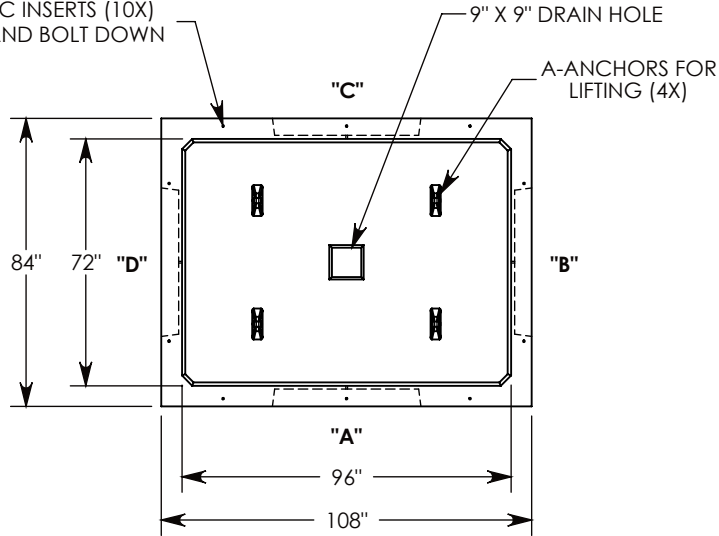


Ø 1/2"-13 UNC INSERTS (10X)  
FOR LIFTING AND BOLT DOWN

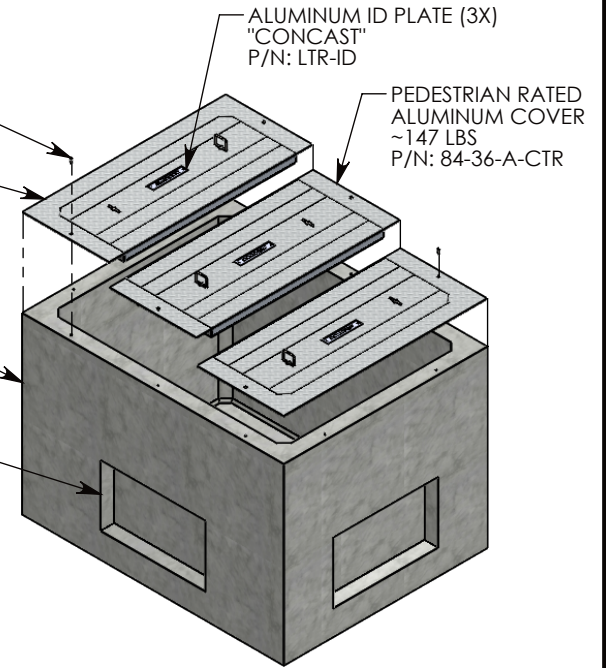


1/2-13 UNC X 1.5" LG HEX HD BOLT (6X)  
P/N: HHB.5-1.5

PEDESTRIAN RATED  
ALUMINUM COVER (2X)  
~135 LBS  
P/N: 84-36-A

CONCRETE PULL BOX  
~14466 LBS  
P/N: PBK01-84-108-72

5" DEEP KNOCKOUTS  
CAST INTO ALL 4 SIDES

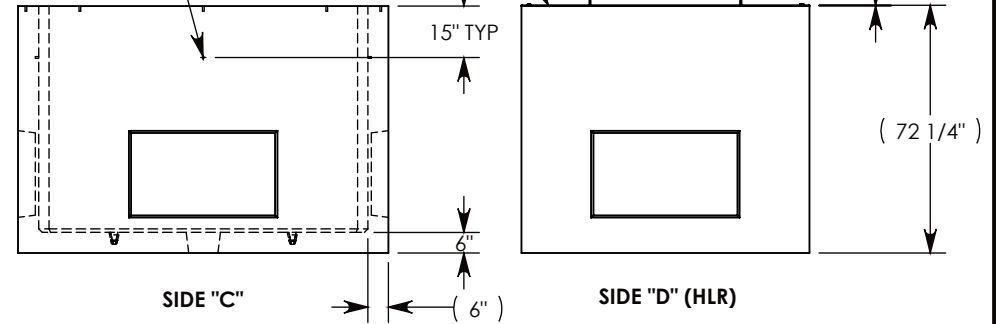
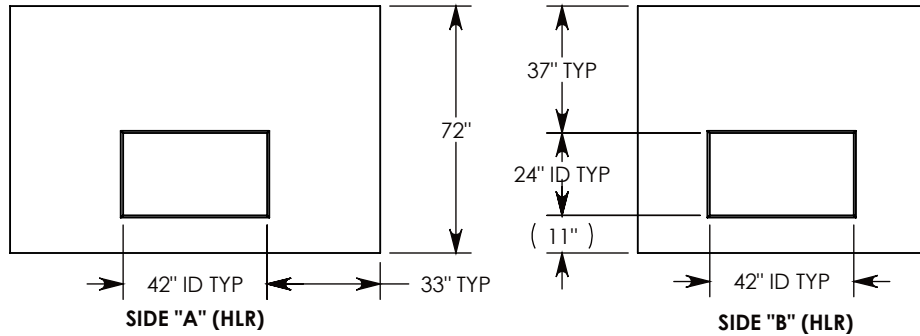


Ø 1/2"-13 UNC INSERT (4X) FOR  
PULLING EYES. LOCATED ON  
BOX INTERIOR (1X PER SIDE)

LIFTING RING  
SHOWN EXTENDED

COVER SHOWN IN THIS VIEW

1/4" COVER



NOTE 1: FOR ADDED SECURITY, PENTA HEAD BOLTS (P/N: PTA.5-1.5) CAN BE ADDED

PEDESTRIAN RATED - 200 LB. PER SQ. FOOT

DRAWN BY: **MALACHI MLINAR**

DATE: **8/23/2018**

REVISION LEVEL: **A**

WEIGHT:

**14884 LBS.**

MATERIAL:

**NOTED**



DESCRIPTION:

**PULL BOX W/ ALUMINUM COVER**

DIMENSIONS ARE IN INCHES

TOLERANCES:  
FRACTIONAL: ± 1/8"  
ANGULAR: ± 2°

CONTACT INFORMATION:  
EMAIL: INFO@CONCASTINC.COM  
PHONE: (507) 732-4095  
FAX: (507) 732-4094

SHEET 1 OF 1

PART NUMBER:

**PBK01-84-108-72-A**