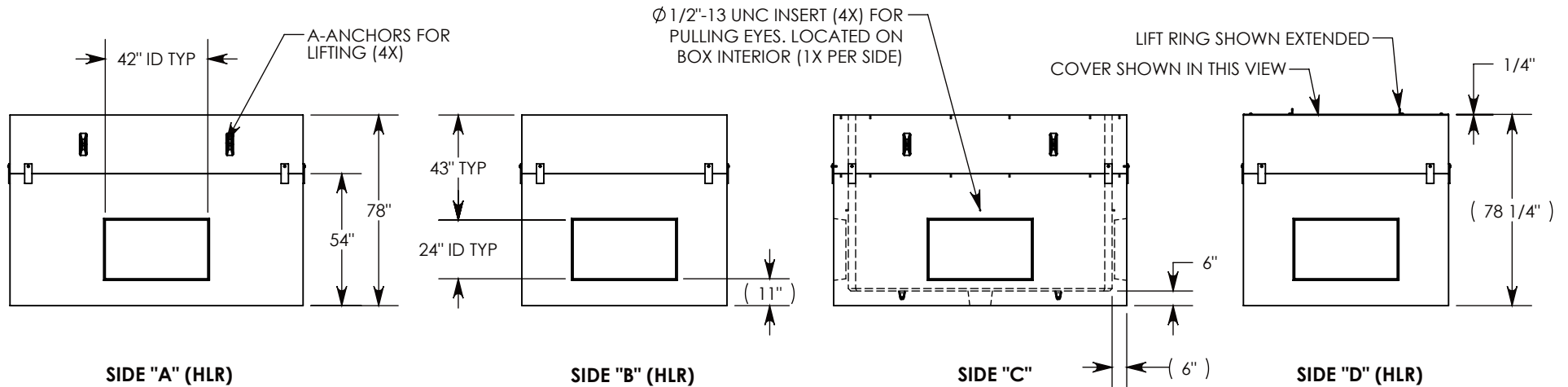
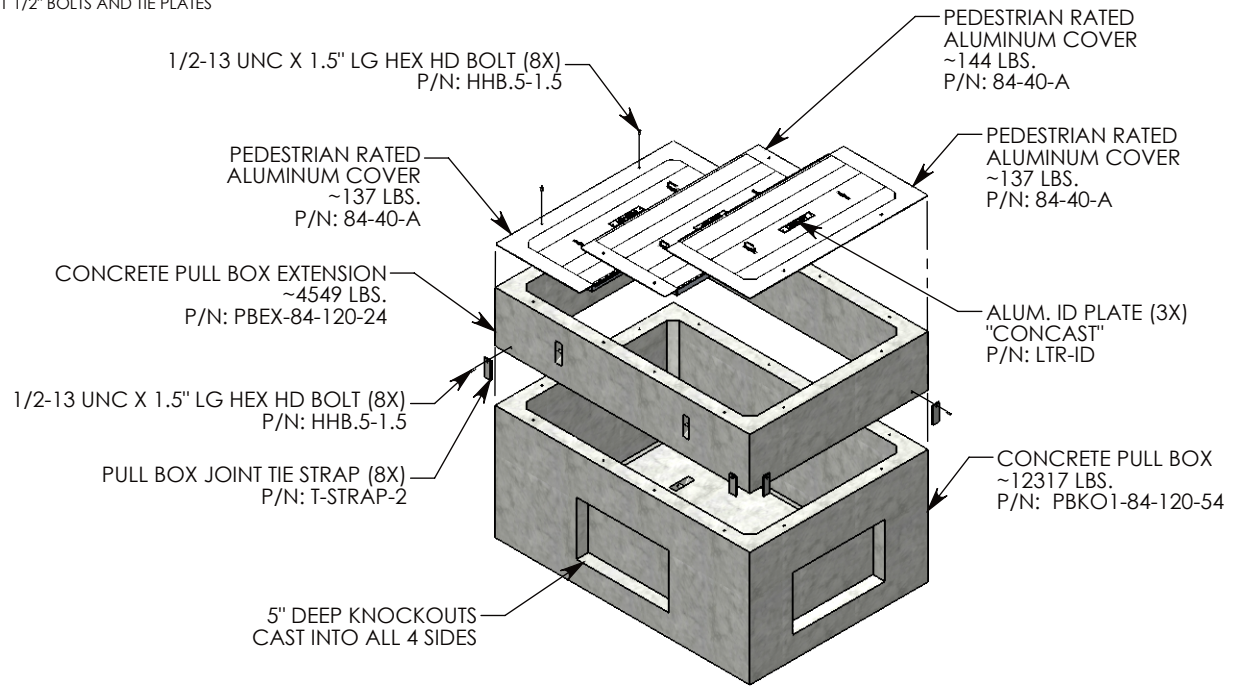
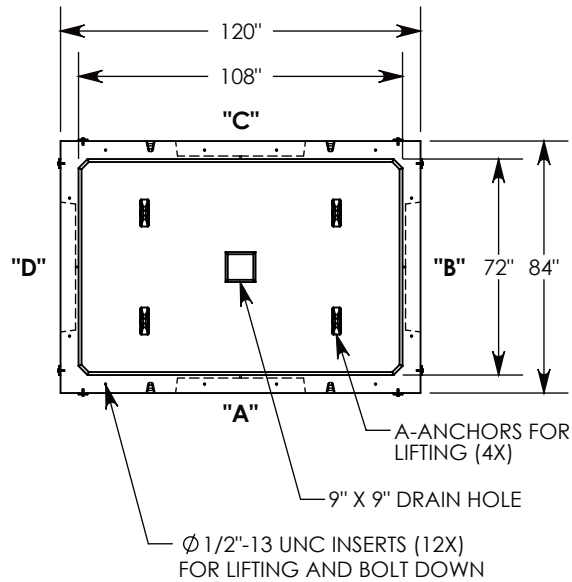


REV. B - SIC - 7/29/2019 - UPDATED ANNOTATIONS, DIMENSIONS AND VIEWS; ADDED 1/2-13 X 1 1/2" BOLTS AND TIE PLATES
 REV. C - JCG - 8/27/2020 - UPDATED ANNOTATIONS & DIMENSIONS



NOTE 1: FOR ADDED SECURITY, PENTA HEAD (P/N: PTA.5-1.5) BOLTS CAN BE ADDED

PEDESTRIAN RATED - 200 LB. PER SQ. FOOT

DRAWN BY: JESSE GUTTING	
CREATED DATE: 6/24/2011	REVISION LEVEL: C
SAVED DATE: 8/27/2020	SAVED BY: jgutting
WEIGHT: 17312 LBS.	MATERIAL: NOTED



1010 NORTH STAR DRIVE
 P.O. BOX 69
 ZUMBROTA, MN 55992-0069

DESCRIPTION: PULL BOX W/ALUMINUM COVERS		
DIMENSIONS ARE IN INCHES TOLERANCES: FRACTIONAL: ± 1/8" ANGULAR: ± 2°	CONTACT INFORMATION: EMAIL: INFO@CONCASTINC.COM PHONE: (507) 732-4095 FAX: (507) 732-4094	SHEET 1 OF 1
PART NUMBER: PBKO1-84-120-78-A		