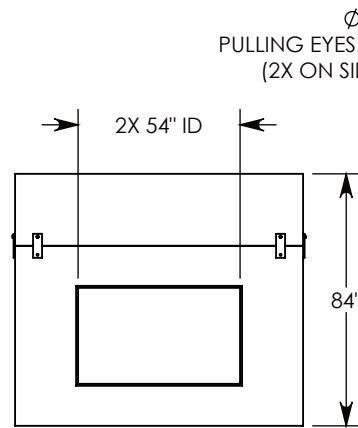
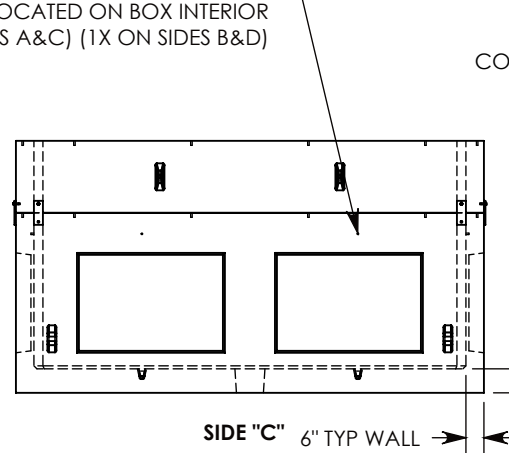


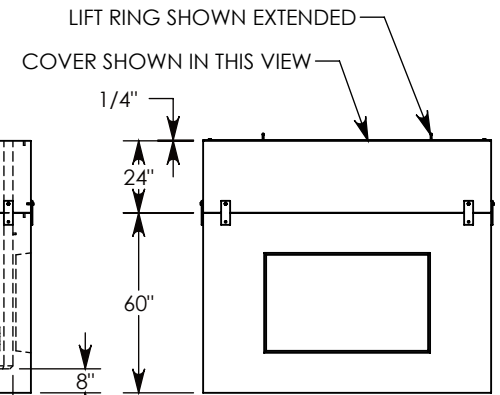
SIDE "A" (HLR)



SIDE "B" (HLR)



SIDE "C" (HLR)



SIDE "D" (HLR)

NOTE 1: FOR ADDED SECURITY, PENTA HEAD (P/N: PTA.5-1.5) CAN BE ADDED

PEDESTRIAN RATED - 200 LB. PER SQ. FOOT

DRAWN BY: **JESSE GUTTING**

CREATED DATE: **8/18/2021** REVISION LEVEL: **0**

SAVED DATE: **4/12/2022** SAVED BY: **jgutting**

WEIGHT: **24457 LBS.** MATERIAL: **NOTED**



DESCRIPTION:

PULL BOX W/ ALUMINUM COVERS

DIMENSIONS ARE IN INCHES
 TOLERANCES:
 FRACTIONAL: $\pm 1/8"$
 ANGULAR: $\pm 2^\circ$

CONTACT INFORMATION:
 EMAIL: INFO@CONCASTINC.COM
 PHONE: (507) 732-4095
 FAX: (507) 732-4094

SHEET 1 OF 1

PART NUMBER:

PBKO1-96-156-84-A