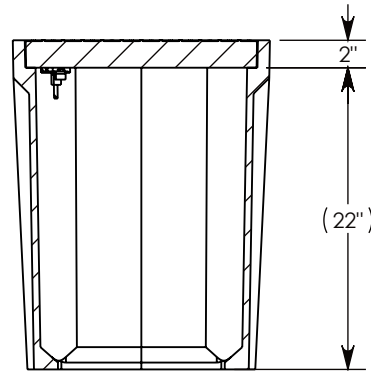
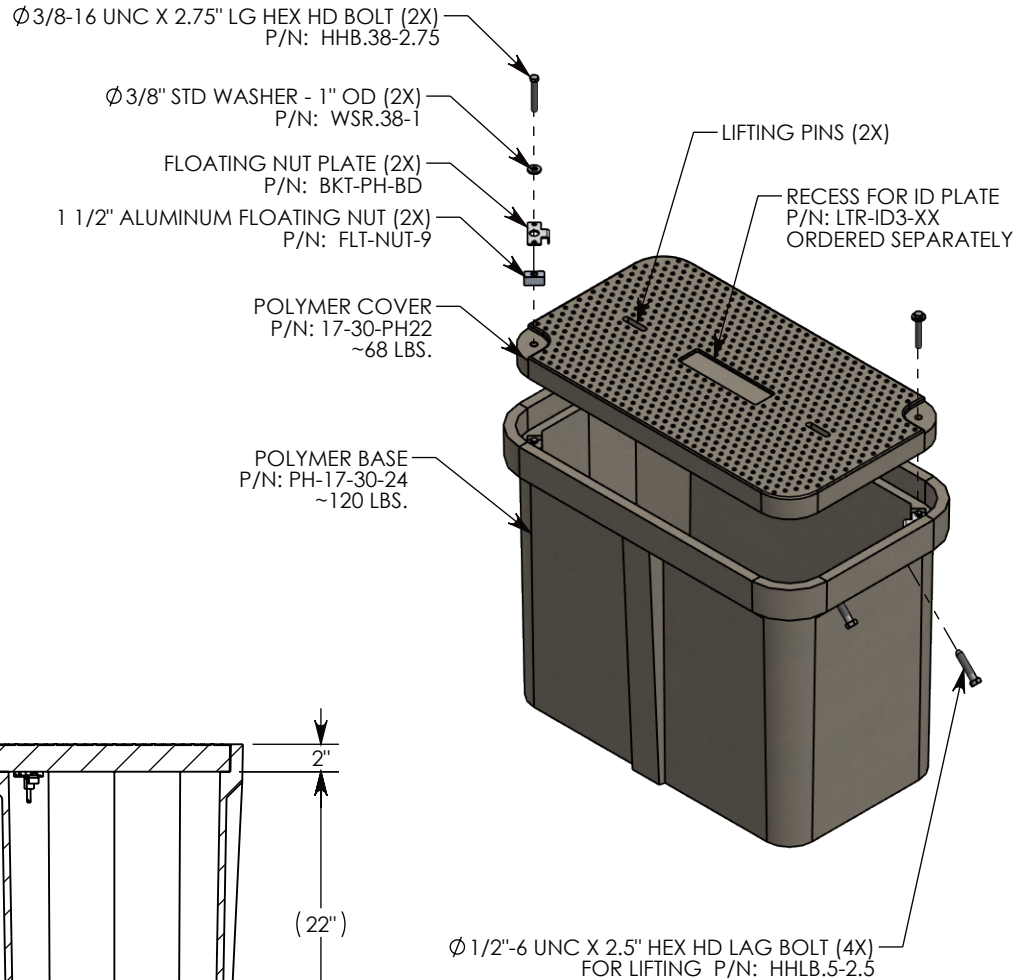
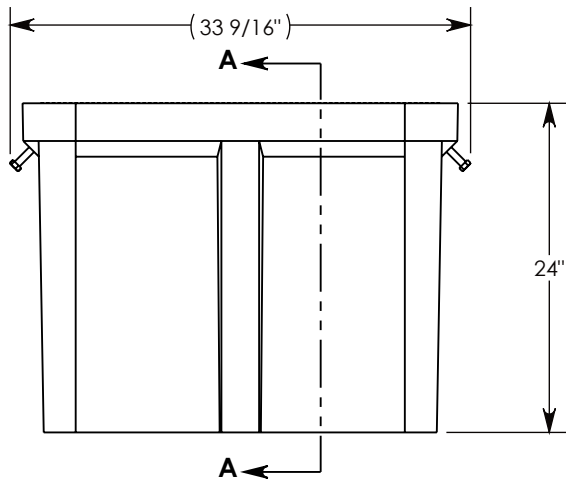
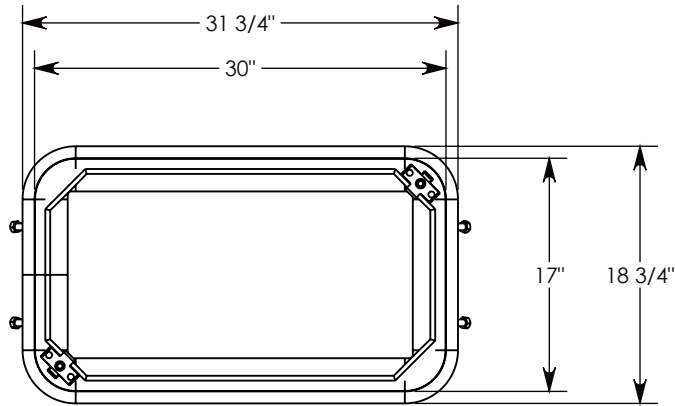


REV. A - BLT - 9/20/2022 - REMOVED INSERTS FROM LONG SIDES, UPDATED COVER MODEL, & ADDED LAG BOLTS TO SHORT SIDES.
 REV. B - JCG - 11/9/2022 - UPDATED TO 2.5" COVER BOLTS
 REV. C - JCG - 11/16/2022 - UPDATED TO RATING AND NAME
 REV. D - JCG - 12/2/2022 - CHANGED FROM HHB.38-2.5 TO HHB.38-2.75



SECTION A-A

TIER 22 RATED:
 VERTICAL DESIGN LOAD 22,500 LBS
 VERTICAL TEST LOAD 33,750 LBS

DRAWN BY: BRIAN TOLLEFSON	
CREATED DATE: 3/28/2022	REVISION LEVEL: D
SAVED DATE: 12/2/2022	SAVED BY: jgutting
WEIGHT: 189 LBS.	MATERIAL: NOTED



1010 NORTH STAR DRIVE
 P.O. BOX 69
 ZUMBROTA, MN 55992-0069

DESCRIPTION: POLYMER CONCRETE HAND HOLE		
DIMENSIONS ARE IN INCHES	CONTACT INFORMATION:	SHEET 1 OF 1
TOLERANCES: FRACTIONAL: $\pm 1/8$ " ANGULAR: $\pm 2^\circ$	EMAIL: INFO@CONCASTINC.COM PHONE: (507) 732-4095 FAX: (507) 732-4094	
PART NUMBER: PH22-17-30-24		