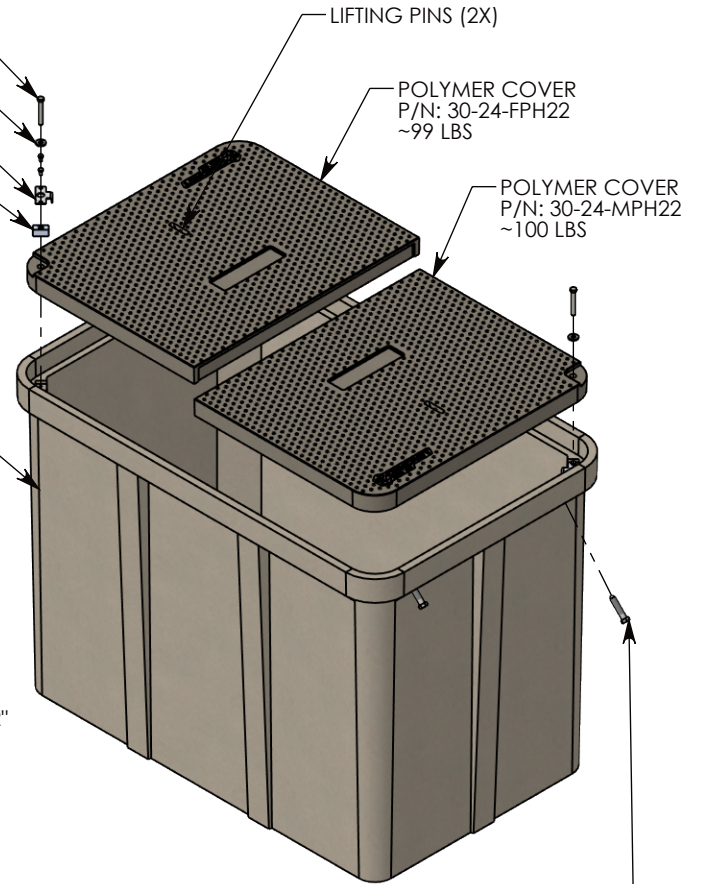


- Ø 3/8-16 UNC X 2.75" LG HEX HD BOLT (2X)
P/N: HHB.38-2.75
- Ø 3/8" STD WASHER - 1" OD (2X)
P/N: WSR.38-1
- FLOATING NUT PLATE (2X)
P/N: BKT-PH-BD
- 1 1/2" ALUMINUM FLOATING NUT (2X)
P/N: FLT-NUT-9

POLYMER BASE
P/N: PH-30-48-36
~286 LBS.



Ø 1/2"-6 X 2.5" HEX HD LAG BOLT (4X)
FOR LIFTING P/N: HHLB.5-2.5

SECTION A-A

TIER 22 RATED:
VERTICAL DESIGN LOAD 22,500 LBS
VERTICAL TEST LOAD 33,750 LBS

DRAWN BY: **JESSE GUTTING**

CREATED DATE: **2/9/2023** REVISION LEVEL: **A**

SAVED DATE: **6/22/2023** SAVED BY: **jgutting**

WEIGHT: **486 LBS.** MATERIAL: **NOTED**



1010 NORTH STAR DRIVE
P.O. BOX 69
ZUMBROTA, MN 55992-0069

DESCRIPTION:
POLYMER HAND HOLE

DIMENSIONS ARE IN INCHES
TOLERANCES:
FRACTIONAL: ± 1/8"
ANGULAR: ± 2°

CONTACT INFORMATION:
EMAIL: INFO@CONCASTINC.COM
PHONE: (507) 732-4095
FAX: (507) 732-4094

SHEET 1 OF 1

PART NUMBER:
PH22-30-48-36