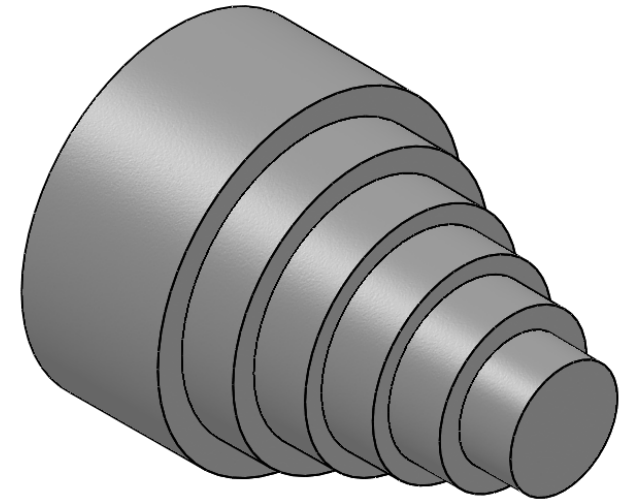
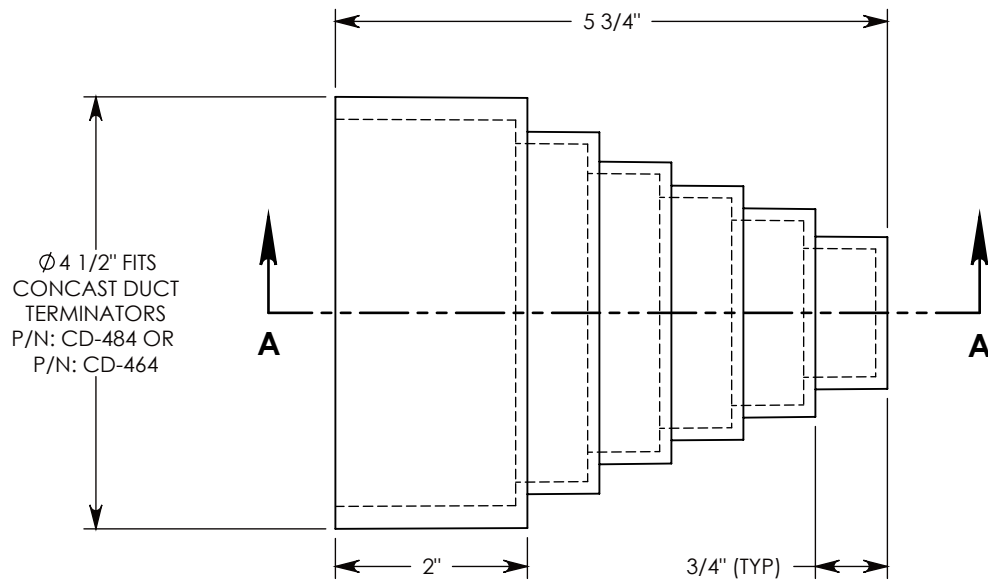


SECTION A-A



REDUCER IS TO BE CUT TO PVC SIZE NEEDED

DRAWN BY: ROBIN FLINT

DATE: 1/30/2012

REVISION LEVEL: 0

WEIGHT:

0.4 LBS.

MATERIAL:

HDPE PLASTIC



1010 NORTH STAR DRIVE
P.O. BOX 69
ZUMBROTA, MN 55992-0069

DESCRIPTION:

REDUCING COUPLER

DIMENSIONS ARE IN INCHES
TOLERANCES:
FRACTIONAL: $\pm 1/8"$
ANGULAR: $\pm 2^\circ$

CONTACT INFORMATION:
EMAIL: INFO@CONCASTINC.COM
PHONE: (507) 732-4095
FAX: (507) 732-4094

SHEET 1 OF 1

PART NUMBER:

RC41